



LIANO

BATHROOM COLLECTION



Inspired by the emerging fashion of modern Australia, our Caroma Vogue Collection represents the best of Caroma's leadership in bathroom design and is sure to make a statement in any home.

Creating your own home has always been part of the Australian dream; the opportunity to design a unique space that both complements and elevates your individual style. The Caroma Vogue Collection will provide you the freedom to create your dream bathroom; one that enables an experience of personal luxury through customising key design elements.

The collection proudly represents fashionable Australian styles, made from the highest quality materials and incorporates the latest in sustainable innovations.

“Minimalistic style, clean lines and symmetry defines the **Liano** Collection. It's the collection you need to make a statement in your home.”



- Luke Di Michiel,
Caroma Industrial Designer



LIANO

The Caroma Liano Collection showcases the very best of modern Australian design and is sure to make a statement in any home.

Featuring a full range of bathroom products that work together to create a harmonious bathroom design, Liano is the collection for those who want to create a unique bathroom sanctuary.







Create your *sanctuary*

①
Liano Cleanflush®
Easy Height Wall
Faced Toilet Suite
766450W



②
Liano Nexus
Inset Basin
665215W



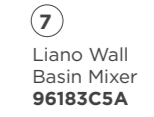
③
Liano Basin Mixer
96193C6A



⑤
Liano Toilet
Roll Holder
96124C



⑥
Liano Robe
Hook
96125C



⑦
Liano Wall
Basin Mixer
96183C5A



④
Liano Towel Rail
96120C







Create your *sanctuary*

① Invisi Series II® Round Dual Flush Plate & Buttons (Metal) Black w/ Chrome Buttons **237088BL**



② Liano Cleanflush® Invisi Series II® Easy Height Wall Faced Toilet Suite **766350W**

③ Liano Nexus Basin Mixer **96193B6A**

④ Liano Nexus 600 Wall Basin with Shelf (Right Hand) **665315W**



⑤ Eco Noir Bottle Trap **687295B**



⑥ Liano Nexus Overhead Rain Shower **91051B3A**



⑦ Liano Nexus Right Angle Shower Arm **2464.04B**

⑧ Liano Nexus Bath/Shower Mixer **96130B**



⑨ Liano Nexus Hand Towel Ring **96122B**



⑩ Liano Nexus Toilet Roll Holder **96124B**



⑪ Liano Nexus Toilet Roll Holder **96125B**





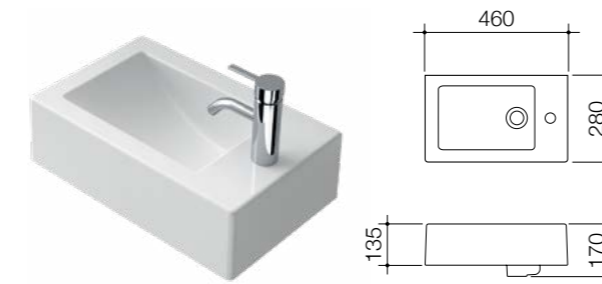
Basins

Boasting sharp, symmetrical lines with an architectural, minimalist style, our Liano basins are available in multiple configurations to suit a range of bathroom design requirements.

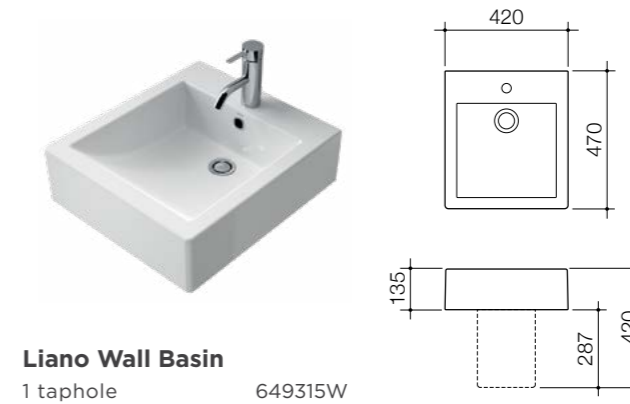
- Designed and engineered in Australia
- Crafted from high quality vitreous china that has great durability, sanitary and stain resistant properties
- Available in semi recessed, inset, above counter, under counter and wall basin styles
- Includes flush fitting white plug and chrome waste. Integrated overflow
- 10 year warranty

WALL BASINS (OR WALL MOUNTED)

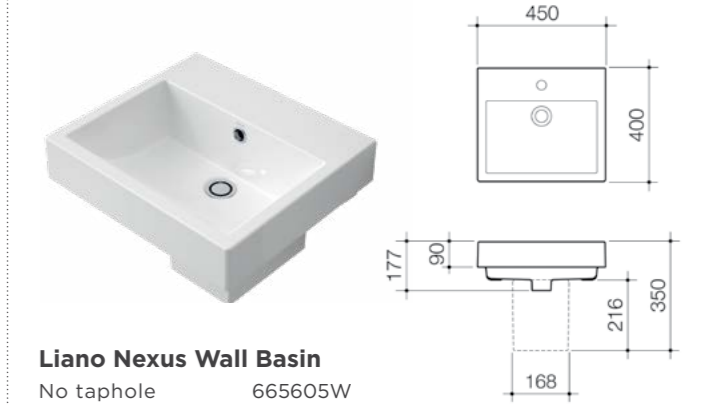
Wall basins are fixed directly to the wall with brackets and don't require a vanity for installation. Our Liano wall basins are ideal for saving space with a minimalistic look.



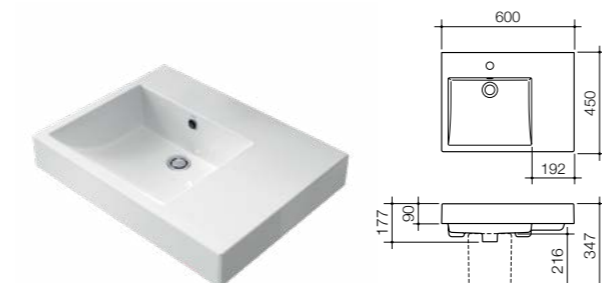
Liano Hand Wall Basin
649715W



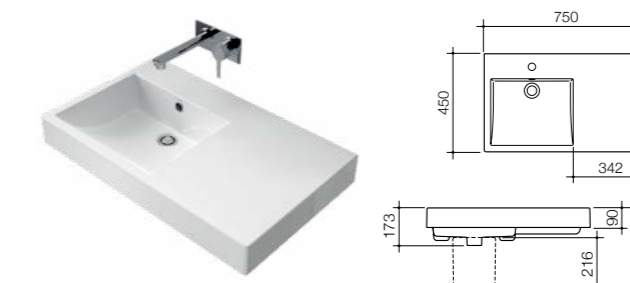
Liano Wall Basin
1 taphole 649315W



Liano Nexus Wall Basin
No taphole 665605W
1 taphole 665615W



Liano Nexus 600 Wall Basin with Shelf (Right Hand)
No taphole 665305W
1 taphole 665315W



Liano Nexus 750 Wall Basin with Shelf (Right Hand)
No taphole 665405W
1 taphole 665415W



Liano Nexus 750 Wall Basin with Shelf (Left Hand)
No taphole 665505W
1 taphole 665515W

Basins

ABOVE COUNTER BASINS

Above counter basins are installed directly on top of a vanity with minimal installation requirements.

INSET BASINS

Inset basins are partially set into a vanity reducing the appearance of the basin rim without reducing the depth of the bowl.

SEMI RECESSED BASINS

Semi recessed basins partially overhang the vanity allowing you to maximise your basin size on applications with limited vanity space.

UNDER COUNTER BASINS

Under counter basins are installed directly below the vanity top with no visible basin rim.



Liano Semi Recessed Basin

No taphole 661205W
1 taphole 661215W



Liano Undercounter Basin

664205W



Liano Above Counter Basin

No taphole 664405W
1 taphole 664415W



Liano Nexus Inset Basin

1 taphole 665215W



Liano Vanity Basin

1 taphole 664715W



Liano Nexus Semi Recessed Basin

No taphole 665705W
1 taphole 665715W



Showers

Stylish and sophisticated in design, our Liano Collection showers offer a range of different styles, allowing you to create your desired showering experience.

- Available in polished chrome or matte black finish
- Multifunction rail shower has integrated diverter for seamless transition between hand and overhead showers
- WELS 3 star rated, 9L/min
- 10 year warranty

HAND SHOWER

Hand showers give you a great range of flexibility. They allow you to direct the spray wherever you like, whether you want to keep your hair dry or assist with the cleaning.

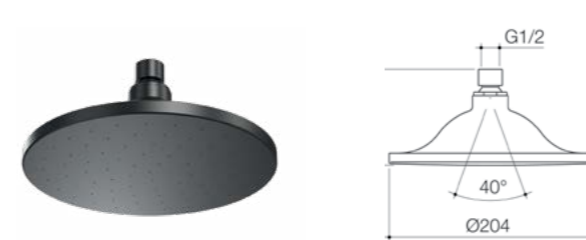
RAIL SHOWER

Extremely practical, rail showers allow you to vary the height of the shower head along the rail and at different angles.

Our Liano Nexus multifunctional rail shower features include 3-spray functionality for a personalised showering experience.

RAIN SHOWER

Positioned directly overhead these provide a “rain like” immersive showering experience with maximum body coverage.



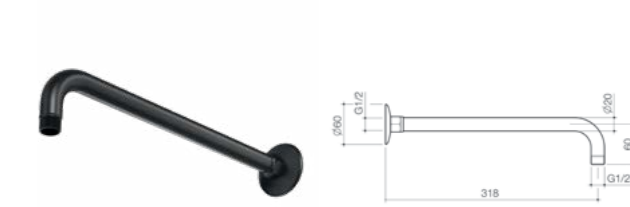
Liano Nexus Overhead Rain Shower

WELS 3 star rated, 9L/min
 Chrome 91051C3A
 Black 91051B3A



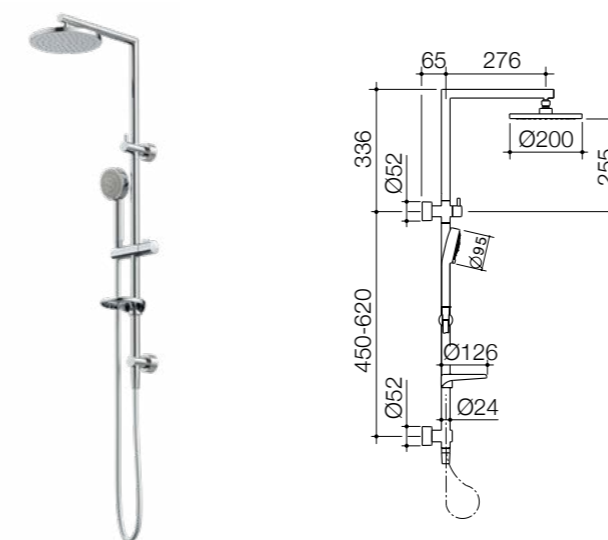
Liano Nexus Ceiling Shower Arm

Chrome 2465.04
 Black 2465.04B



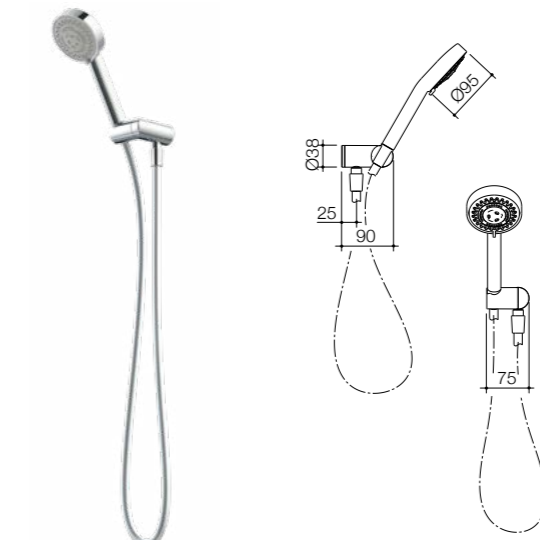
Liano Nexus Right Angle Shower Arm

Chrome 2464.04
 Black 2464.04B



Liano Nexus Multifunction Rail Shower with Overhead

WELS 3 star rated, 9L/min
 Chrome 91056C3A
 Black 91056B3A



Liano Multifunction Hand Shower

WELS 3 star rated, 9L/min
 Chrome 91059C3A
 Black 91059B3A

Baths

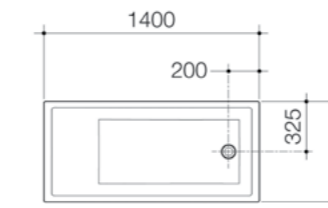
The Liano Collection has been designed for those who favour a minimalist square style. With a focus on comfort the range offers multiple sizes and installation types.

- Crafted from sanitary grade acrylic – resists chipping and has excellent heat retention qualities
- Suitable for freestanding, back to wall or corner placement
- Plug and waste options available
- 10 year warranty

FREESTANDING BATH

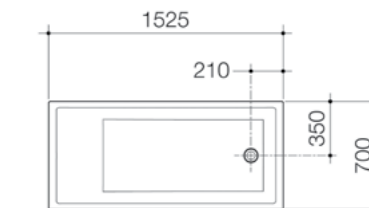
The Freestanding tub has become a real statement piece in bathrooms in recent years. Because of their all-sided finish, they can be placed anywhere – even in the center of the bathroom. They are available in a range of sizes, and if you have a smaller bathroom, the Liano 1400 is ideal for compact spaces, whilst still achieving a freestanding look.

The Liano 1525 and 1675 bath sizes feature dual reclined ends and a centre waste position for comfort.



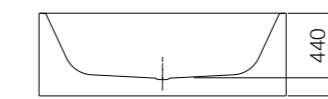
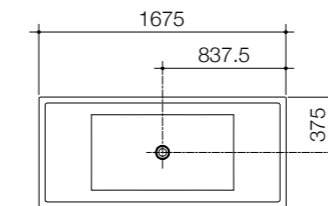
Liano 1400 Freestanding Bath

1400mm (l) x 650mm (w) x 440mm (d)
LN4WFW



Liano 1525 Freestanding Bath

1525mm (l) x 700mm (w) x 440mm (d)
LN5WFW



Liano 1675 Freestanding Bath

1675mm (l) x 750mm (w) x 440mm (d)
LN7WFW



40mm Pop-up Plug & Waste

Chrome 323060C



40mm Plug & Waste

White 323060W

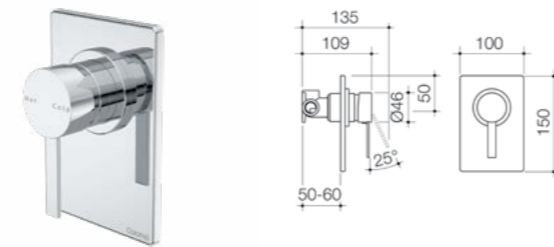


Tapware

Make a bold statement in your bathroom with the Liano Collection's expressive range of fashionable stylish polished chrome tapware.

Our Liano tapware features a slimline paddle handle, creating a contemporary look and feel.

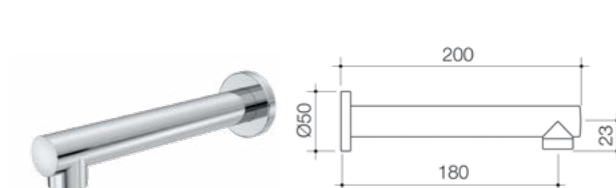
- Designed and engineered in Australia
- High quality solid brass construction
- Mixers feature Ultraflex PEX hoses which provide superior durability and cleanliness while the easy clean silicone aerator prevents limescale build up
- WELS 5 star rated, 6L/min
- 10 year warranty



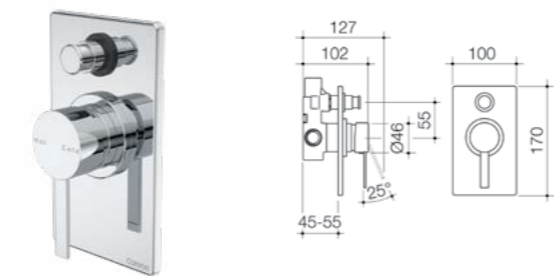
Liano Bath/Shower Mixer with Diverter
96146C



Liano Wall Basin Mixer
WELS 5 star rated, 6L/min
Chrome 96183C5A



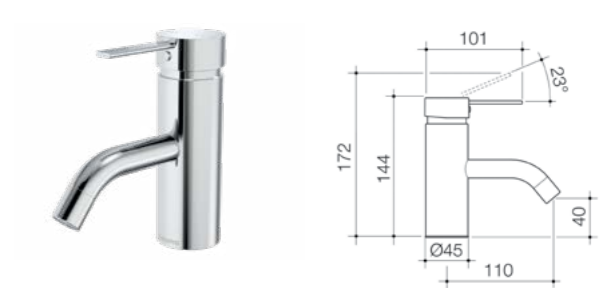
Liano Wall Basin Outlet
WELS 5 star rated, 6L/min
Chrome 96154C5A



Liano Bath/Shower Mixer with Diverter
96146C



Liano Wall Bath Mixer
Chrome 96183C

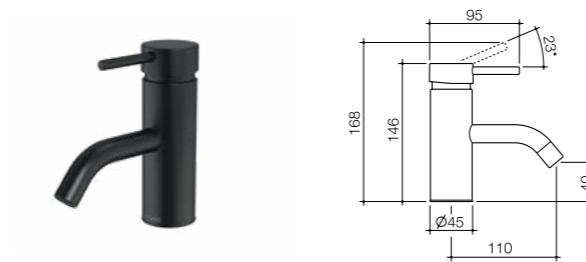


Liano Basin Mixer
WELS 5 star rated, 6L/min
WELS 6 star rated, 4.5L/min
Chrome 96142C5A
Chrome 96142C6A

Tapware

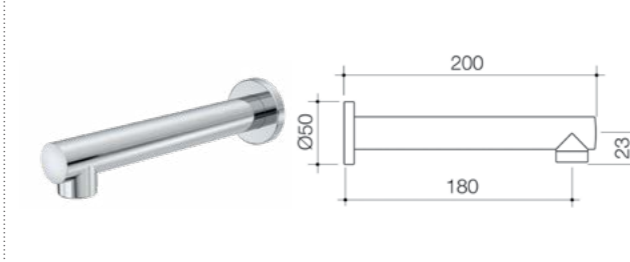
Following the latest interior design trends, the distinct finishes of the Liano Nexus tapware will enhance the look of your bathroom, featuring a slimline pin handle that complements the complete Liano collection.

- Designed and engineered in Australia
- High quality solid brass construction
- Available in matte black or polished chrome finish
- Mixers feature Ultraflex PEX hoses which provide superior durability and cleanliness while the easy clean silicone aerator prevents limescale build up
- WELS 5 star rated, 6L/min
- 10 year warranty



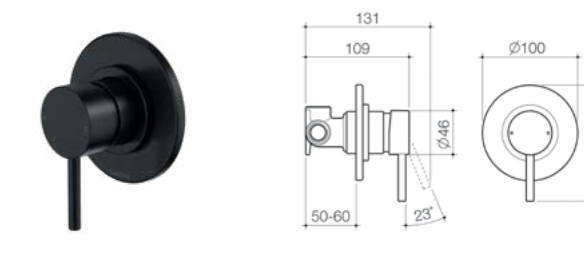
Liano Nexus Basin Mixer

WELS 5 star rated, 6L/min
 Chrome 96193C6A
 Black 96193B6A



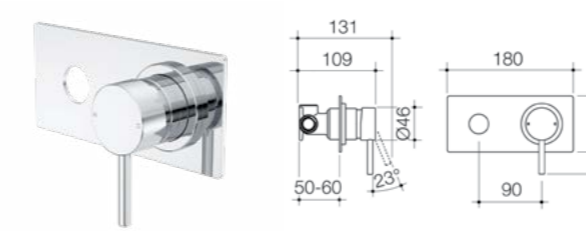
Liano Nexus Bath Outlet Straight

Chrome 96154C
 Black 96154B



Liano Nexus Bath/Shower Mixer

Chrome 96130C
 Black 96130B



Liano Nexus Wall Basin/Bath Mixer Platemount Kit - No Outlet

Chrome 96164C
 Black 96164B



Liano Nexus Angled Wall Basin/Bath Outlet

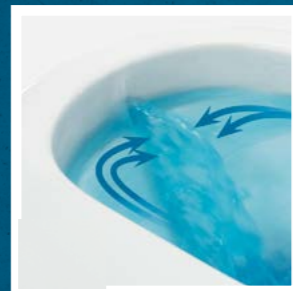
WELS 5 star rated, 6L/min
 Chrome 96161C5A
 Black 96161B5A



FLOW SPLITTER
Powerful flush for whole bowl clean



FLOW CHANNELS
Controlled water flow eliminates splash back



FLOW BALANCER
Precise flush stream effectively clears the bowl

Toilet suites

Caroma Cleanflush® is our most effective and hygienic toilet. Our patented design features revolutionary rimless technology that delivers the next generation of toilets: easy to clean and water efficient with superior hygiene.

- Designed and engineered in Australia
- Available in wall faced or wall hung styles. Wall faced options include Caroma's patented Uni-Orbital® connector for ease of installation
- Invisi Series II® buttons sold separately. Available in a range of colours and finishes to suit your individual style
- WELS 4 star rated, 4.5/3L (3.5L avg/flush)
- Signature slimline, soft close seat
- 10 year warranty

INVISI WALL FACED TOILET SUITES (BEHIND THE WALL/CONCEALED)

The toilet pan sits on the floor and is connected to a cistern concealed inside the wall cavity, ceiling or under counter.

INVISI WALL HUNG TOILET SUITES (BEHIND THE WALL/CONCEALED)

The toilet pan sits off the floor and is mounted directly to the wall and connected to a cistern concealed inside the wall cavity, ceiling or under counter.

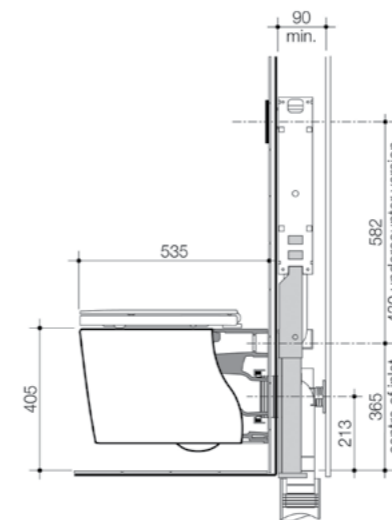
WALL FACED TOILET SUITE

The toilet pan sits flush to the wall with the cistern mounted directly on top.



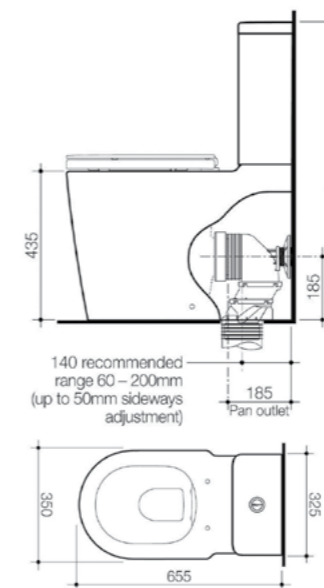
Liano Cleanflush® Wall Hung Invisi Series II® Toilet Suite

WELS 4 star rated, 4.5/3L (3.5L avg/flush)
ID, IC, IW 766910W
UC 766920W
SBW 766930W



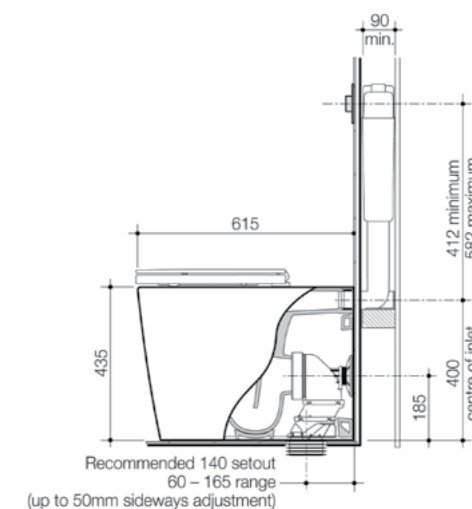
Liano Cleanflush® Easy Height Wall Faced Toilet Suite

WELS 4 star rated, 4.5/3L (3.5L avg/flush)
766450W



Liano Cleanflush® Invisi Series II® Easy Height Toilet Suite

WELS 4 star rated, 4.5/3L (3.5L avg/flush)
766350W





Accessories

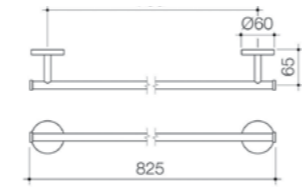
Our Liano range of accessories complement the design of the rest of the collection and will ensure your bathroom is efficiently organised.

- Durable solid metal construction
- Available in polished chrome or matte black finish
- 1 year warranty



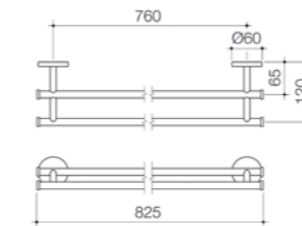
Liano/Liano Nexus Single Towel Rail

Chrome 96120C
Black 96120B



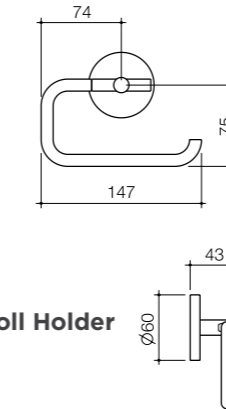
Liano/Liano Nexus Double Towel Rail

Chrome 96124C
Black 96124B



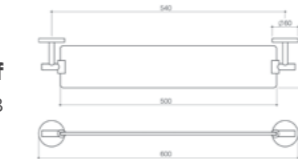
Liano/Liano Nexus Toilet Roll Holder

Chrome 96124C
Black 96124B



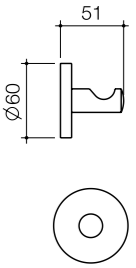
Liano Nexus Glass Shelf

Black 96127B



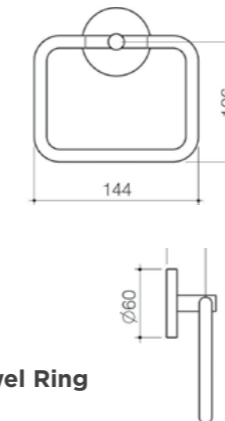
Liano/Liano Nexus Robe Hook

Chrome 96125C
Black 96125B



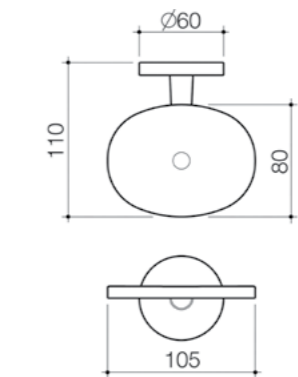
Liano/Liano Nexus Hand Towel Ring

Chrome 96122C
Black 96122B



Liano Nexus Soap Dish

Black 96126B







With over 75 years of experience, we believe quality bathrooms are a balance of form, function and looks. Our designs and innovation bring to life a guiding vision of creating sustainable luxury. Design that enables you to enjoy bathroom experiences that both complement and elevate your lifestyle, from an energising morning start to an indulgent, relaxing moment of luxury, all underpinned by sustainability.

Designing for Australians and New Zealanders, from all walks of life, with different tastes and needs; we have a wide range of classic to artisanal styles, smart designs and sustainable innovations providing you with everything you need to create the *sanctuary of your dreams.*

www.caroma.com.au | www.caroma.co.nz

© Copyright 2019. Caroma Industries Ltd. ABN 35 000 189 499. All rights reserved. Material and design specifications subject to change without notice. Product colour reproduction is as near to actual product colour as production methods allow. Warning: Products in this brochure are the subject of registered designs and patents. ® is a registered trademark of Caroma Industries. This brochure relates to Australian products only and some product, design or specifications may differ in other countries.