

# fienza® Care

## COLLECTION





# fienza® Care

COLLECTION

Fienza's Care Collection provides a range of solutions for bathroom accessibility, including grab rails, extended height toilets, back rests, rail showers, and long lever-handle mixers.

Whether you are building a new bathroom installation, or retrofitting an old one, we have an extensive range of solutions from the functional to the stylish.







## CONTENTS



CARE KITS  
pages 4-6



ACCESSIBLE TOILETS  
pages 7-9



AMBULANT TOILETS  
pages 10-11



AS 1428.1  
ACCESSIBLE  
COMPLIANT



AS 1428.1  
AMBULANT  
COMPLIANT

AS1428.1 REQUIREMENTS  
pages 12-13



INDEPENDENT LIVING  
pages 14-17



JUNIOR TOILETS  
pages 18-19



GRAB RAILS  
pages 20-21



CARE BASINS  
pages 22-23



CARE MIXERS  
pages 24-28



CARE SHOWERS  
pages 29-31



## ACCESSIBLE TOILET CARE 800 KIT 1

Fienza's Accessible Toilet Care Kit 1 complies with the accessible design requirements detailed in AS1428.1 and features a sleek back-to-wall toilet suite and 90° grab rails.



### CARE KIT 1: WITH LEFT-HAND 90° RAIL

**Bottom Inlet:** \$2398 • CARE1L  
**Top Inlet:** \$2398 • CARE1L-1

### CARE KIT 1: WITH RIGHT-HAND 90° RAIL

**Bottom Inlet:** \$2398 • CARE1R  
**Top Inlet:** \$2398 • CARE1R-1

Each kit includes components for both P-Trap or S-Trap installation.

### CONTENTS:

STELLA CARE 800 Back-to-Wall Toilet Suite with Grey Seat

WELS 4 Star rated, 4.5L/3L (3.4L average flush)

K006

Find full specification on p8



STELLA CARE Basin with Shroud RB379S

Find full specification on p23



Toilet Suite Back Rest 200990

Find full specification on p8

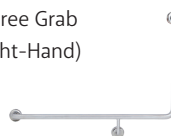


Chrome Pop-Up Waste with Overflow WAS61



960 x 600mm 90-Degree Grab Rail (Left-Hand OR Right-Hand) GRAB9660

Find full specification on p21



ISABELLA CARE Chrome Basin Mixer WELS 5 Star rated, 5L/min 213109D

Find full specification on p24



450mm Grab Rail GRAB45

Find full specification on p20



(Toilet Paper Roll Holder and Towel Ring are not included)





## ACCESSIBLE TOILET CARE KIT 2

Fienza's Accessible Toilet Care Kit 2 complies with the accessible design requirements detailed in AS1428.1. It features the option of blue or grey seats on an adjustable link toilet suite.



### CARE KIT 2:

#### WITH LEFT-HAND 40° RAILS

**Grey Seat: \$1634 • CARE2LG**

**Blue Seat: \$1634 • CARE2L**

### CARE KIT 2:

#### WITH RIGHT-HAND 40° RAILS

**Grey Seat: \$1634 • CARE2RG**

**Blue Seat: \$1634 • CARE2R**

### CONTENTS:

STELLA CARE Adjustable Link Toilet Suite with Grey OR Blue Seat

WELS 4 Star rated, 4.5L/3L (3.4L average flush)

Grey Seat: K001DG

Blue Seat: K001D

Find full specification on p9



STELLA CARE Basin with Shroud RB379S

Find full specification on p23



Toilet Suite Back Rest 200990

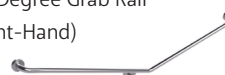
Find full specification on p9



900 x 700mm 40-Degree Grab Rail (Left-Hand OR Right-Hand)

GRAB9070

Find full specification on p21



450mm Grab Rail GRAB45

Find full specification on p20



Chrome Pop-Up Waste with Overflow WAS61



STELLA CARE Chrome Basin Mixer WELS 5 Star rated, 5L/min 211103D

Find full specification on p28



(Toilet Paper Roll Holder and Towel Ring are not included)



## AMBULANT TOILET CARE KIT

Fienza's Ambulant Toilet Care Kit complies with the ambulant design requirements detailed in AS1428.1.

- Back-to-wall toilet suite with extended height pan (450mm) for ease of use
- Both 90-degree grab rails are made from 304 stainless steel and include rubber hygiene seals

**P-Trap • \$754 • CARE3P**  
**S-Trap 90-160 • \$789 • CARE3A**  
**S-Trap 160-280 • \$804 • CARE3B**

### CONTENTS:

ALIX Back-to-Wall Toilet Suite  
**WELS 4 Star rated, 4.5L/3L**  
**(3.3L average flush)**

K011

Find full specification on p10



90° Grab Rail x 2

GRAB4545

Find full specification on p21





**DELTA CARE 800**  
BACK-TO-WALL TOILET SUITE

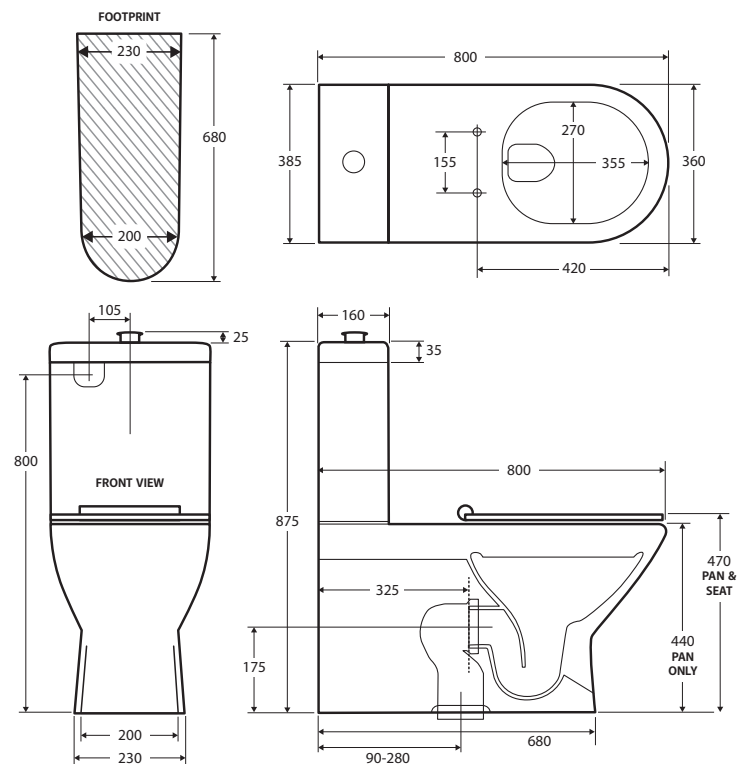
WITH GREY SEAT

**P-Trap • \$1495 • K013GP**  
**S-Trap 90-280 • \$1530 • K013GA**

WITH BLUE SEAT

**P-Trap • \$1495 • K013P**  
**S-Trap 90-280 • \$1530 • K013A**

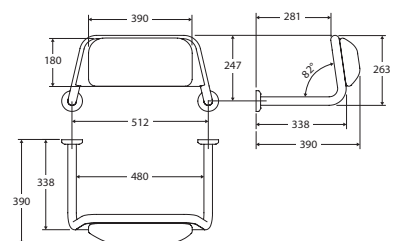
- Can be installed to comply with AS1428.1
- Rimless, hygienic flushing
- Large, raised flush buttons (grey or blue)
- Concealed pan for easy cleaning
- Single flap seat (grey or blue)
- High quality, R&T flush mechanism
- Top or bottom inlets:
  - Left top inlet
  - Left OR right bottom inlet (cannot use both at the same time)
- Available as P-Trap 180mm, or S-Trap with vario-bend 90-280 mm connector
- **WELS 4 Star rated, 4.5L/3L (3.4L average flush)**



**TOILET BACK REST**

**\$299 (GST EXEMPT) • 200990**

- 304 Stainless steel
- Satin finish
- 32mm diameter rail
- Concealed fixings
- Wall mounting screws included



COMMERCIAL WARRANTIES	DOMESTIC WARRANTIES
<b>3 YEAR</b> CERAMICS: 3 Years	<b>5 YEAR</b> CERAMICS: 5 Years
<b>1 YEAR</b> CISTERN / VALVES: 1 Year	<b>3 YEAR</b> CISTERN / VALVES: 3 Years
<b>1 YEAR</b> SEAT & SEAT LID: 1 Year	<b>1 YEAR</b> SEAT & SEAT LID: 1 Year



STELLA CARE 800  
BACK-TO-WALL TOILET SUITE



WITH GREY SEAT

Bottom Inlet:

P-Trap • \$1365 • K006GP

S-Trap 90-280 • \$1400 • K006GA

Top Inlet (left only):

P-Trap • \$1365 • K006GP-1

S-Trap 90-280 • \$1400 • K006GA-1



WITH BLUE SEAT

Bottom Inlet:

P-Trap • \$1365 • K006P

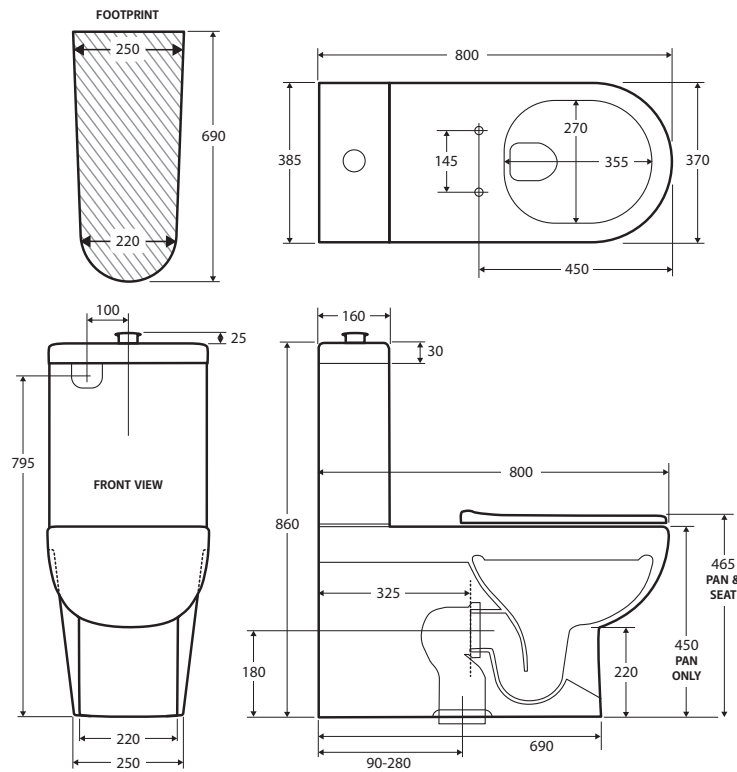
S-Trap 90-280 • \$1400 • K006A

Top Inlet (left only):

P-Trap • \$1365 • K006P-1

S-Trap 90-280 • \$1400 • K006A-1

- Can be installed to comply with AS1428.1
- Rimless, hygienic flushing
- Large, raised flush buttons (grey or blue)
- Concealed pan for easy cleaning
- Single flap seat (grey or blue)
- High quality, R&T flush mechanism
- Top or bottom inlets:
  - Left top inlet
  - Left OR right bottom inlet (cannot use both at the same time)
- Available as P-Trap 180mm, or S-Trap with vario-bend 90-280mm connector
- WELS 4 Star rated, 4.5L/3L (3.4L average flush)

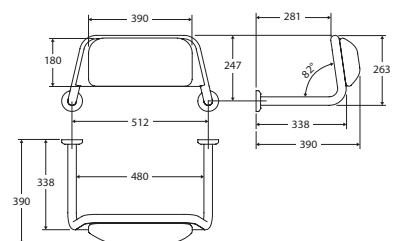


COMMERCIAL WARRANTIES	DOMESTIC WARRANTIES
<b>3 YEAR</b> CERAMICS: 3 Years	<b>5 YEAR</b> CERAMICS: 5 Years
<b>1 YEAR</b> CISTERN / VALVES: 1 Year	<b>3 YEAR</b> CISTERN / VALVES: 3 Years
<b>1 YEAR</b> SEAT & SEAT LID: 1 Year	<b>1 YEAR</b> SEAT & SEAT LID: 1 Year

TOILET BACK REST

\$299 (GST EXEMPT) • 200990

- 304 Stainless steel
- Satin finish
- 32mm diameter rail
- Concealed fixings
- Wall mounting screws included





STELLA CARE  
ADJUSTABLE LINK  
TOILET SUITE

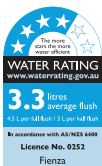
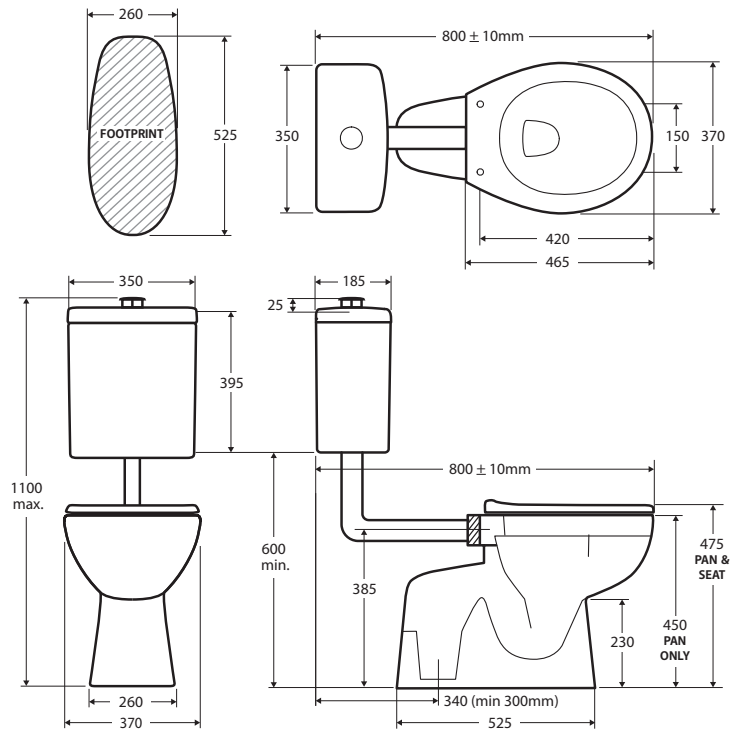


WITH GREY SEAT  
\$620 • K001DG

WITH BLUE SEAT  
\$620 • K001D



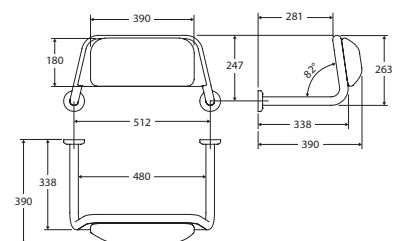
- Can be installed to comply with AS1428.1
- Raised flush buttons (blue or grey)
- Extended height pan
- Single flap seat (grey or blue)
- High quality, R&T flush mechanism
- Left or right bottom inlet
- Concealed S-Trap only, 300-340mm set-out
- Includes concealed floor fixing screws
- WELS 4 Star rated, 4.5L/3L (3.3L average flush)



TOILET BACK REST

\$299 (GST EXEMPT) • 200990

- 304 Stainless steel
- Satin finish
- 32mm diameter rail
- Concealed fixings
- Wall mounting screws included



COMMERCIAL WARRANTIES	DOMESTIC WARRANTIES
<b>3 YEAR</b> CERAMICS: 3 Years	<b>5 YEAR</b> CERAMICS: 5 Years
<b>1 YEAR</b> CISTERN / VALVES: 1 Year	<b>3 YEAR</b> CISTERN / VALVES: 3 Years
<b>1 YEAR</b> SEAT & SEAT LID: 1 Year	<b>1 YEAR</b> SEAT & SEAT LID: 1 Year



# ALIX

## BACK-TO-WALL TOILET SUITE

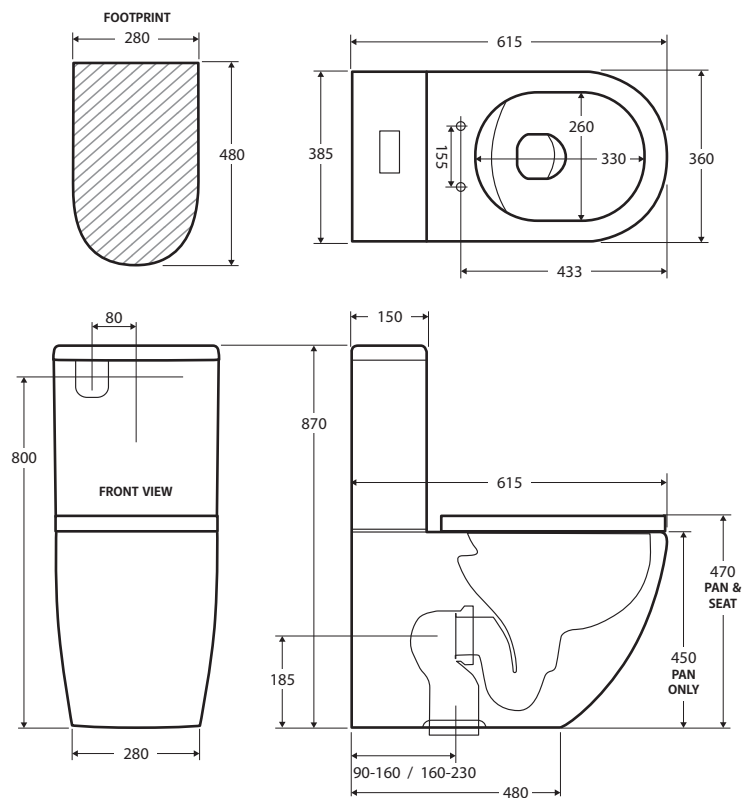
- P-Trap • \$564 • K011P
- S-Trap 90-160 • \$599 • K011A
- S-Trap 160-230 • \$614 • K011B

- Can be installed to comply with Ambulant AS1428.1
- Extended height pan: 450mm
- Rimless, hygienic flushing
- Short projection from wall for tight spaces
- Concealed pan for easy cleaning
- UF quick release, soft close seat
- Large, easy-push flush buttons
- High quality, R&T flush mechanism
- Top or bottom inlets:
  - Left top inlet
  - Left or right bottom inlet
- Available as P-Trap or S-Trap
- WELS 4 Star rated, 4.5L/3L (3.3L average flush)



Optional Matte Black Flush Buttons

\$30 • 200784



COMMERCIAL WARRANTIES

- 3 YEAR WARRANTY** CERAMICS: 3 Years
- 1 YEAR WARRANTY** CISTERN / VALVES: 1 Year
- 1 YEAR WARRANTY** SEAT & SEAT LID: 1 Year

DOMESTIC WARRANTIES

- 5 YEAR WARRANTY** CERAMICS: 5 Years
- 3 YEAR WARRANTY** CISTERN / VALVES: 3 Years
- 1 YEAR WARRANTY** SEAT & SEAT LID: 1 Year



## RAK COMPACT AMBULANT BACK-TO-WALL TOILET SUITE

### WITH GREY SEAT

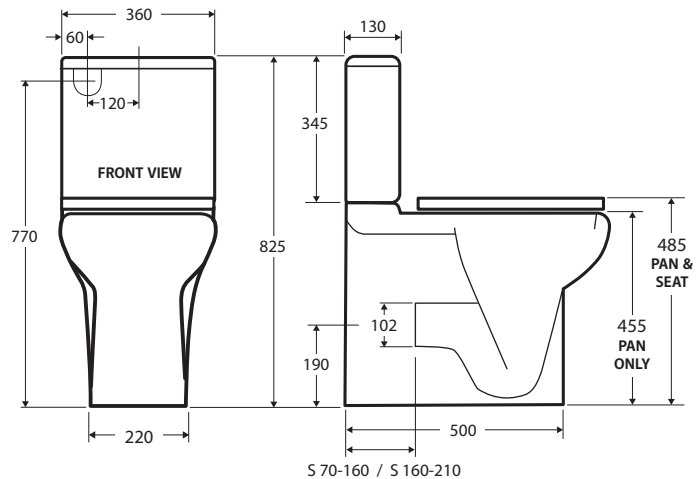
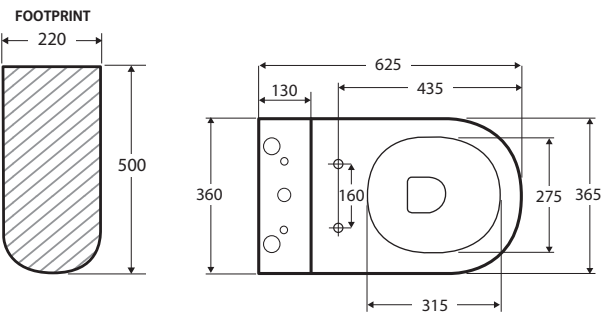
- P-Trap** • \$525 • 345122G
- S-Trap 70-160** • \$560 • 345122GA
- S-Trap 160-210** • \$575 • 345122GB

### WITH BLUE SEAT

- P-Trap** • \$525 • 345122U
- S-Trap 70-160** • \$560 • 345122UA
- S-Trap 160-210** • \$575 • 345122UB



- Can be installed to comply with Ambulant AS1428.1
- Extended height pan
- Large, easy-push chrome flush buttons
- Concealed pan for easy cleaning
- UF quick release soft close seat (grey or blue)
- Cistern with Geberit valves
- Top or bottom inlets:
  - Left top inlet
  - Left or right bottom inlet
- Available as P-Trap or S-Trap 70-160
- Optional S-Trap 160-210 connector
- Stainless steel hinges
- Includes floor mounting screws
- **WELS 4 Star rated, 4.5L/3L (3.3L average flush)**



S 70-160 / S 160-210



#### COMMERCIAL WARRANTIES

- 10 YEAR** CERAMICS: 10 Years
- 3 YEAR** VALVES: 3 Years
- 1 YEAR** SEAT & SEAT LID: 1 Year

#### DOMESTIC WARRANTIES

- 10 YEAR** CERAMICS: 10 Years
- 3 YEAR** CISTERN / VALVES: 3 Years
- 1 YEAR** SEAT & SEAT LID: 1 Year



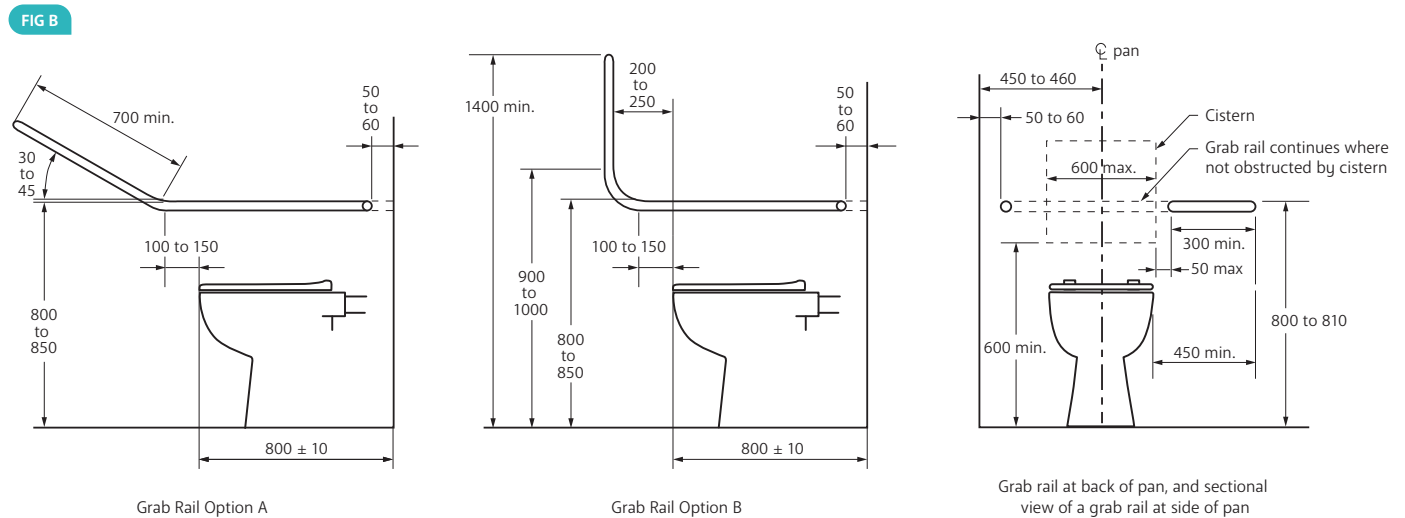
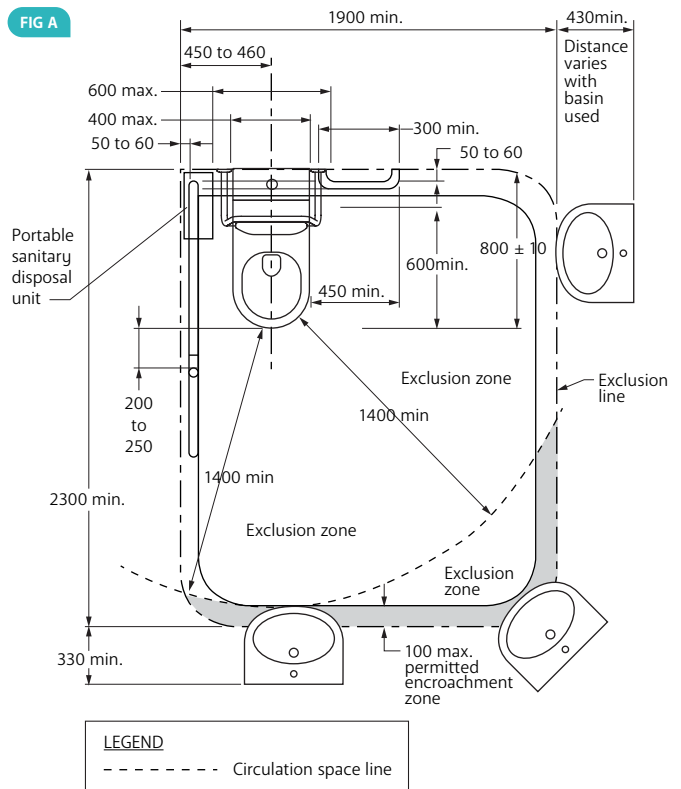
# GENERAL REQUIREMENTS FOR ACCESSIBLE COMPLIANT UNISEX TOILETS



Spatial layouts are critical in the design of accessible compliant commercial toilets and must include adequate circulation space within the room for wheelchair access, as well as installation of components at the correct heights, in accordance with AS1428.1-2009.

Figures A and B show a sample layout for an accessible compliant commercial toilet room. This drawing is to be used as a guide only. Please refer to AS1428.1-2009 and 2010 amendments for detailed requirements and measurements.

**IMPORTANT:** This information is supplied as a guide only and is based on AS1428.1-2009. Independent assessment and approval must be undertaken by suitably qualified consultants to ensure compliance with the Australian Standards and any applicable building codes.



# GENERAL REQUIREMENTS FOR AMBULANT COMPLIANT TOILETS



The layout for sanitary compartments for people with ambulant disabilities must include adequate circulation space, along with each component installed in accordance with AS1428.1-2009.

Figure C shows a sample layout for an ambulant compliant toilet room. This drawing is to be used as a guide only. Please refer to AS1428.1-2009 and 2010 amendments for detailed requirements and measurements.

**IMPORTANT:** This information is supplied as a guide only and is based on AS1428.1-2009. Independent assessment and approval must be undertaken by suitably qualified consultants to ensure compliance with the Australian Standards and any applicable building codes.

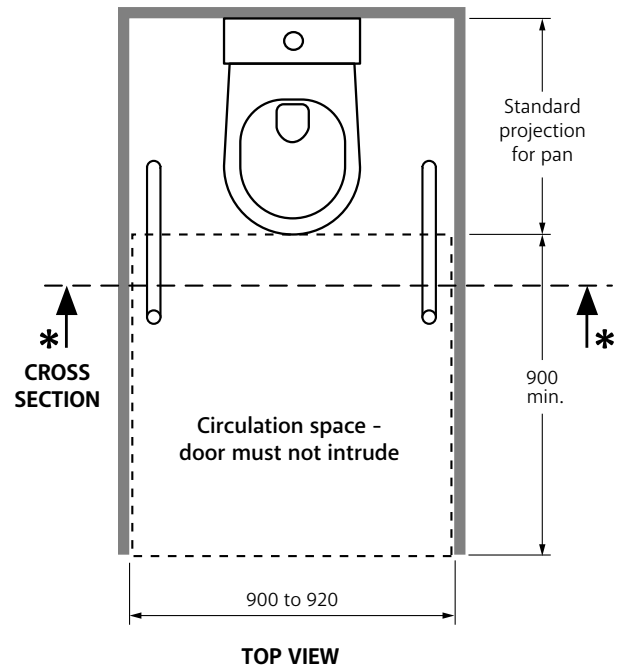
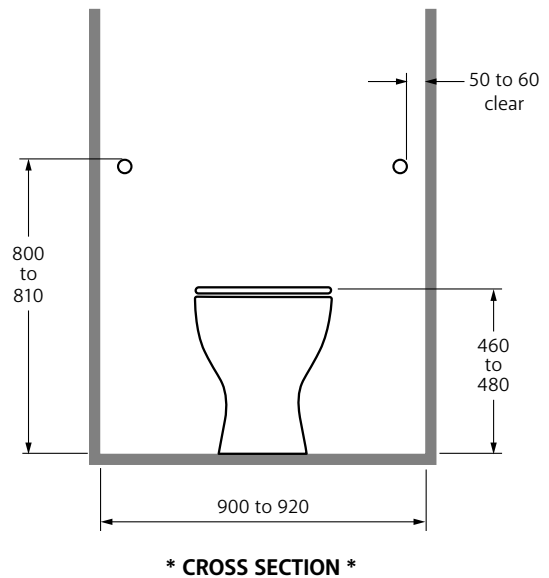
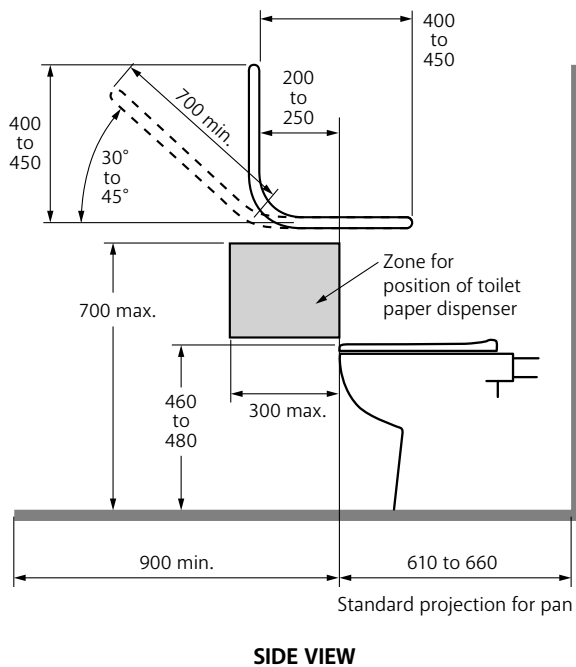


FIG C





STELLA CARE 800 WHITE  
BACK-TO-WALL TOILET SUITE

WITH BOTTOM INLET

P-Trap • \$1365 • K006WP

S-Trap 90-280 • \$1400 • K006WA

Note: Left OR right bottom inlet (cannot use both at the same time).

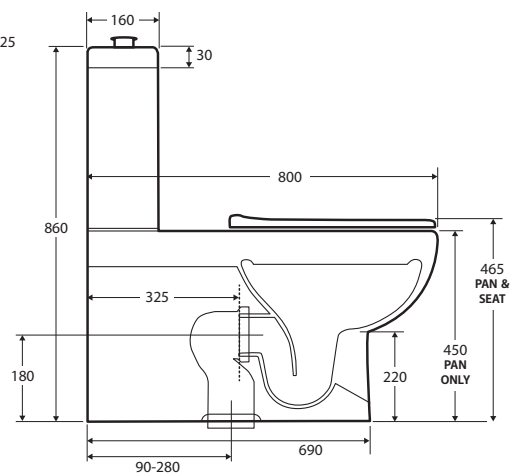
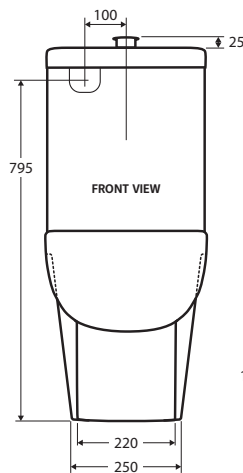
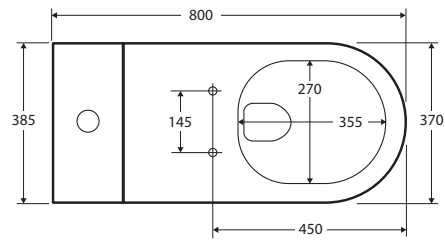
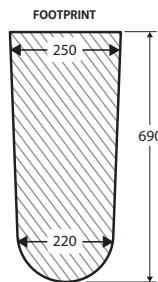
WITH TOP INLET (LEFT ONLY)

P-Trap • \$1365 • K006WP-1

S-Trap 90-280 • \$1400 • K006WA-1



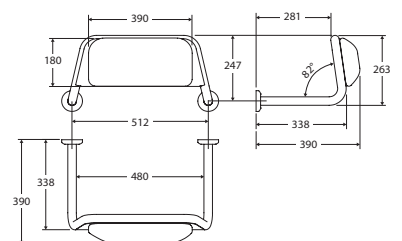
- Rimless, hygienic flushing
- Large, raised grey flush buttons
- Concealed pan for easy cleaning
- Single flap white seat
- High quality, R&T flush mechanism
- Top or bottom inlets:
  - Left top inlet
  - Left OR right bottom inlet (cannot use both at the same time)
- Available as P-Trap 180mm, or S-Trap with vario-bend 90-280mm connector
- WELS 4 Star rated, 4.5L/3L (3.4L average flush)



TOILET BACK REST

\$299 (GST EXEMPT) • 200990

- 304 Stainless steel
- Satin finish
- 32mm diameter rail
- Concealed fixings
- Wall mounting screws included



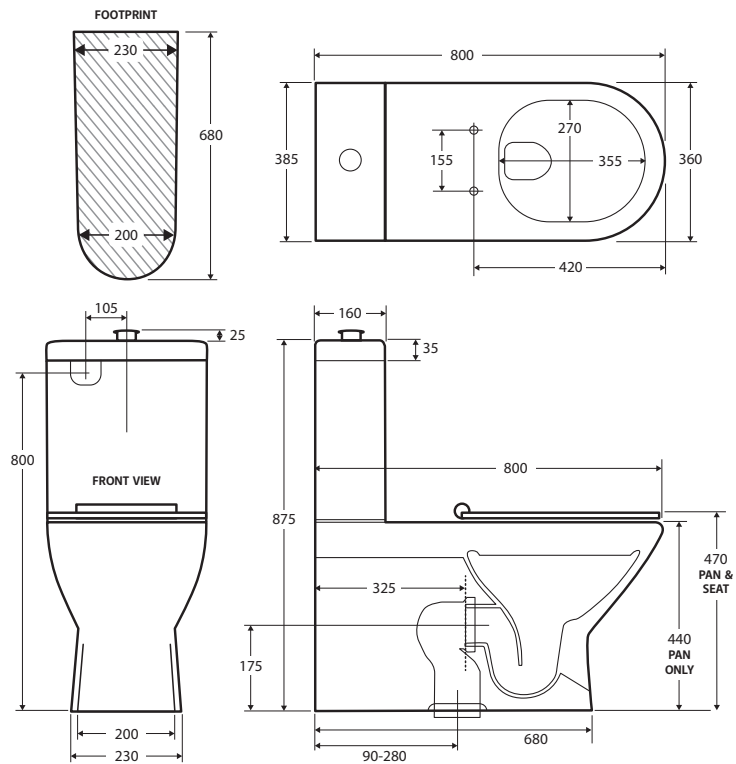
COMMERCIAL WARRANTIES	DOMESTIC WARRANTIES
<p><b>3 YEAR</b> CERAMICS: 3 Years</p>	<p><b>5 YEAR</b> CERAMICS: 5 Years</p>
<p><b>1 YEAR</b> CISTERN / VALVES: 1 Year</p>	<p><b>3 YEAR</b> CISTERN / VALVES: 3 Years</p>
<p><b>1 YEAR</b> SEAT &amp; SEAT LID: 1 Year</p>	<p><b>1 YEAR</b> SEAT &amp; SEAT LID: 1 Year</p>

**DELTA CARE 800 WHITE**  
BACK-TO-WALL TOILET SUITE

P-Trap • \$1495 • K013WP

S-Trap 90-280 • \$1530 • K013WA

- Rimless, hygienic flushing
- Large, raised grey flush buttons
- Concealed pan for easy cleaning
- Single flap white seat
- High quality, R&T flush mechanism
- Top or bottom inlets:
  - Left top inlet
  - Left OR right bottom inlet (cannot use both at the same time)
- Available as P-Trap 180mm, or S-Trap with vario-bend 90-280 mm connector
- WELS 4 Star rated, 4.5L/3L (3.4L average flush)



COMMERCIAL WARRANTIES

- 3 YEAR WARRANTY** CERAMICS: 3 Years
- 1 YEAR WARRANTY** CISTERN / VALVES: 1 Year
- 1 YEAR WARRANTY** SEAT & SEAT LID: 1 Year

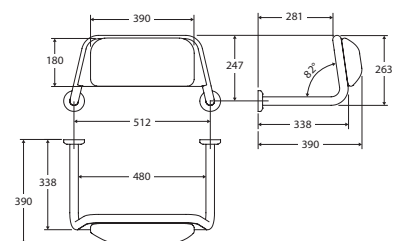
DOMESTIC WARRANTIES

- 5 YEAR WARRANTY** CERAMICS: 5 Years
- 3 YEAR WARRANTY** CISTERN / VALVES: 3 Years
- 1 YEAR WARRANTY** SEAT & SEAT LID: 1 Year

**TOILET BACK REST**

\$299 (GST EXEMPT) • 200990

- 304 Stainless steel
- Satin finish
- 32mm diameter rail
- Concealed fixings
- Wall mounting screws included





# DELTA

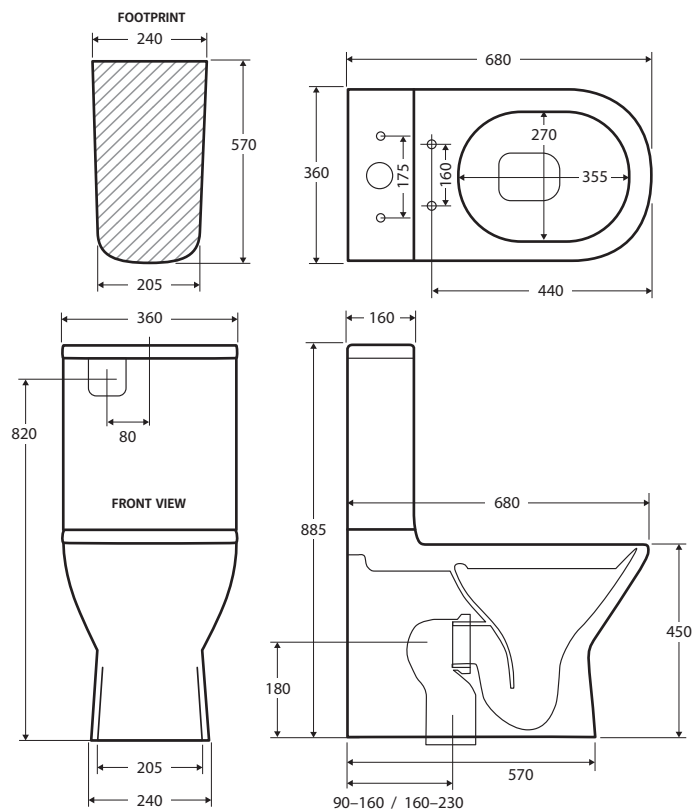
## BACK-TO-WALL TOILET SUITE

P-Trap • \$564 • K005P

S-Trap 90-160 • \$599 • K005A

S-Trap 160-230 • \$614 • K005B

- Hygienic, Nano-Glaze protection
- Rimless, hygienic flush pan
- Extended height pan: 450mm
- Large, easy-push chrome flush buttons
- Concealed pan for easy cleaning
- UF quick release, soft close seat
- High quality, R&T flush mechanism
- Stainless steel hinges
- Includes floor mounting screws
- Top or bottom inlets:
  - Left top inlet
  - Left OR right bottom inlet (cannot use both at the same time)
- Available as P-Trap or S-Trap
- WELS 4 Star rated, 4.5L/3L (3.3L average flush)



### COMMERCIAL WARRANTIES

- 3 YEAR WARRANTY** CERAMICS: 3 Years
- 1 YEAR WARRANTY** CISTERN / VALVES: 1 Year
- 1 YEAR WARRANTY** SEAT & SEAT LID: 1 Year

### DOMESTIC WARRANTIES

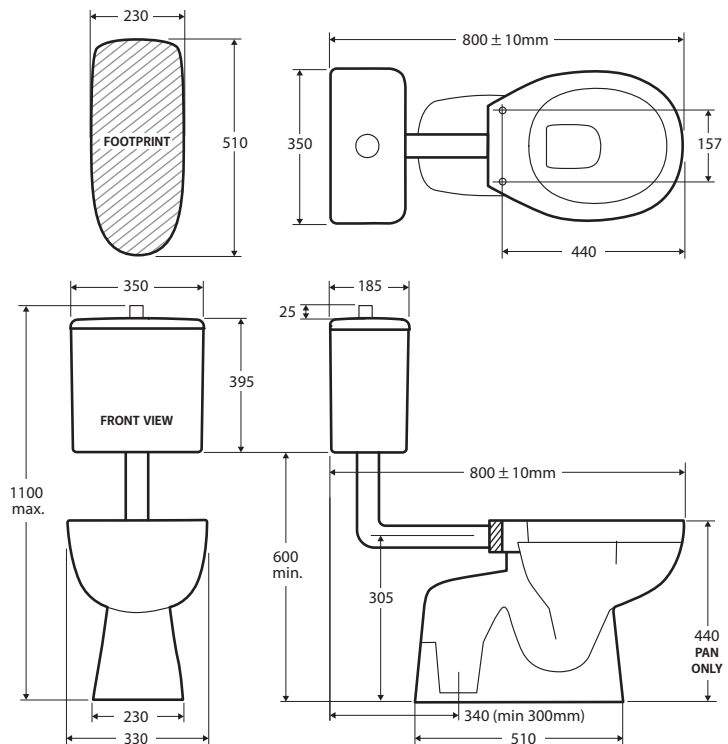
- 5 YEAR WARRANTY** CERAMICS: 5 Years
- 3 YEAR WARRANTY** CISTERN / VALVES: 3 Years
- 1 YEAR WARRANTY** SEAT & SEAT LID: 1 Year

# STELLA SENIOR

## ADJUSTABLE LINK TOILET SUITE

\$430 • K001S

- Chrome, easy-push flush buttons
- Extended height pan
- White double flap, soft close seat
- High quality, R&T flush mechanism
- Left or right bottom inlet
- Concealed S-Trap only, 300-340mm set-out
- Includes concealed floor fixing screws
- WELS 4 Star rated, 4.5L/3L (3.3L average flush)

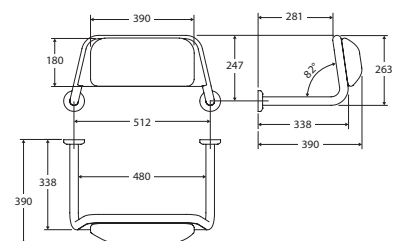


COMMERCIAL WARRANTIES	DOMESTIC WARRANTIES
<b>3 YEAR</b> CERAMICS: 3 Years	<b>5 YEAR</b> CERAMICS: 5 Years
<b>1 YEAR</b> CISTERN / VALVES: 1 Year	<b>3 YEAR</b> CISTERN / VALVES: 3 Years
<b>1 YEAR</b> SEAT & SEAT LID: 1 Year	<b>1 YEAR</b> SEAT & SEAT LID: 1 Year

### TOILET BACK REST

\$299 (GST EXEMPT) • 200990

- 304 Stainless steel
- Satin finish
- 32mm diameter rail
- Concealed fixings
- Wall mounting screws included





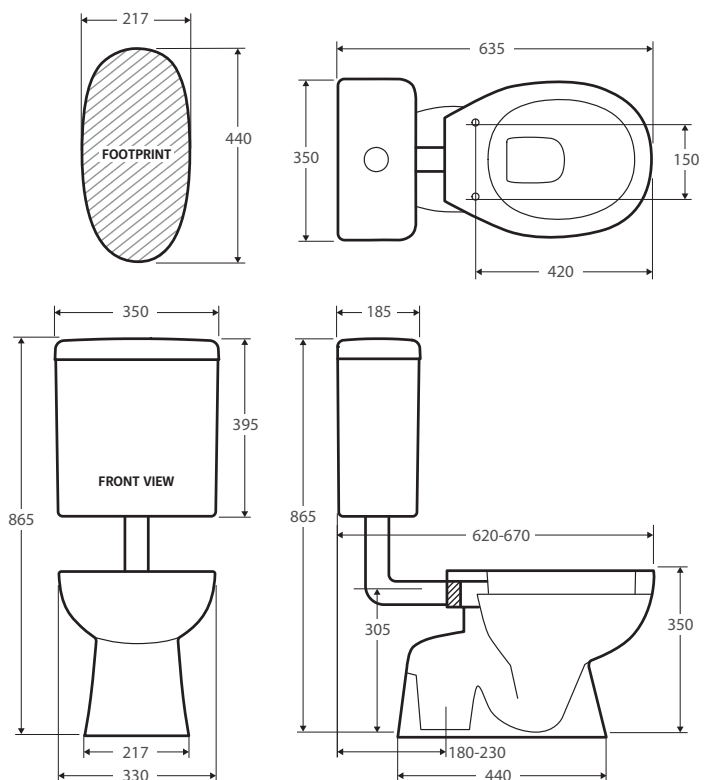
Our Junior toilets are designed so kids can easily transition from a potty to a toilet, and are ideal for schools, pre-schools and childcare centres. These toilets come with child-friendly double flap toilet seats and a lower rim height.



## STELLA JUNIOR ADJUSTABLE LINK TOILET SUITE

\$465 - K001J

- Boxed rim pan
- Dual flush with easy-push flush buttons
- Double flap, child friendly seat
- High quality, R&T flush mechanism
- Left or right bottom inlet
- Concealed S-Trap 180-230 pan
- WELS 4 Star rated, 4.5L/3L (3.3L average flush)



### COMMERCIAL WARRANTIES

- 3 YEAR WARRANTY** CERAMICS: 3 Years
- 1 YEAR WARRANTY** CISTERN / VALVES: 1 Year
- 1 YEAR WARRANTY** SEAT & SEAT LID: 1 Year

### DOMESTIC WARRANTIES

- 5 YEAR WARRANTY** CERAMICS: 5 Years
- 3 YEAR WARRANTY** CISTERN / VALVES: 3 Years
- 1 YEAR WARRANTY** SEAT & SEAT LID: 1 Year

## RAK JUNIOR TOILET

### JUNIOR PAN & SEAT

\$399\* • 800007W

\*Cistern and flush plates required (not included in price).

- Ceramic wall-faced suite
- Double flap child friendly seat
- Concealed design for easy cleaning
- High quality R&T in-wall cistern
- Available as P-Trap only
- WELS 4 Star rated, 4.5L/3L (3.5L average flush) when used with R&T cistern



#### COMMERCIAL WARRANTIES

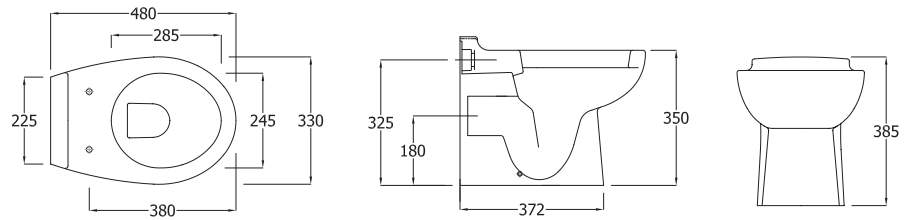
**10 YEAR** CERAMICS: 10 Years

**1 YEAR** SEAT & SEAT LID: 1 Year

#### DOMESTIC WARRANTIES

**10 YEAR** CERAMICS: 10 Years

**1 YEAR** SEAT & SEAT LID: 1 Year



## RAK JUNIOR SUITE

### WITH R&T CISTERN

### R&T IN-WALL CISTERN + JUNIOR PAN & SEAT

\$679\* • 807707W

\*R&T flush plates required (not included in price).

- Front actuators only
- WELS 4 Star rated, 4.5L/3L (3.5L average flush)



#### COMMERCIAL WARRANTIES

**10 YEAR** CERAMICS: 10 Years

**1 YEAR** VALVES: 1 Year

**1 YEAR** SEAT & SEAT LID: 1 Year

#### DOMESTIC WARRANTIES

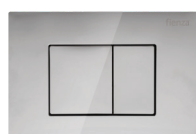
**10 YEAR** CERAMICS: 10 Years

**3 YEAR** CISTERN / VALVES: 3 Years

**1 YEAR** SEAT & SEAT LID: 1 Year



### R&T FLUSH BUTTON PLATE OPTIONS - for use with R&T Cisterns only



Square, Chrome  
ABS construction  
**\$120 • JB60C**



Square, Gloss White  
ABS construction  
**\$149 • JB60W**



Square, Matte Black  
ABS construction  
**\$149 • JB60B**



Round, Chrome  
ABS construction  
**\$149 • JB11-C**



Round, Matte Black  
ABS construction  
**\$149 • JB11-MB**



Round, Stainless Steel  
Stainless steel construction  
**\$199 • JB11**





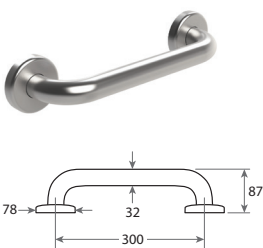
STELLA  
Care Rail Shower  
444112

600  
Grab Rail  
GRAB60

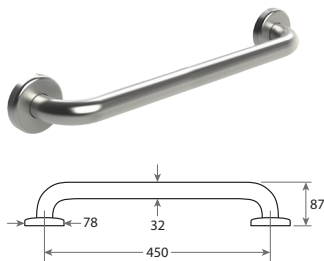
PETRA  
Right-Hand Wall-Hung Basin  
RB2223R

ALIX  
Ambulant Toilet Suite  
K011

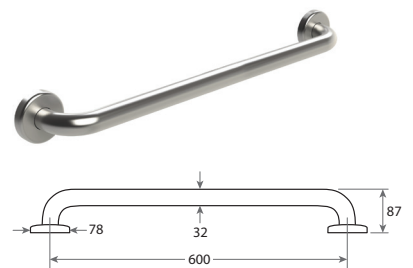
300mm GRAB RAIL  
300mm • \$40\* • GRAB30



450mm GRAB RAIL  
450mm • \$45\* • GRAB45



600mm GRAB RAIL  
600mm • \$50\* • GRAB60



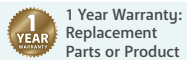
### CARE GRAB RAILS



- Can be installed to comply with AS1428.1
- Made from 304 stainless steel
- Satin finish
- Concealed fixings
- Includes wall mounting screws
- Rail diameter: 32mm
- Includes rubber hygiene seals

\* Prices shown exclude GST. Grab Rails are GST exempt.

COMMERCIAL WARRANTIES



1 Year Warranty: Replacement Parts or Product

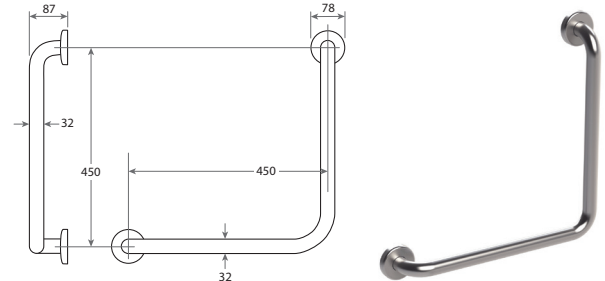
DOMESTIC WARRANTIES



5 Year Warranty: Replacement Parts or Product

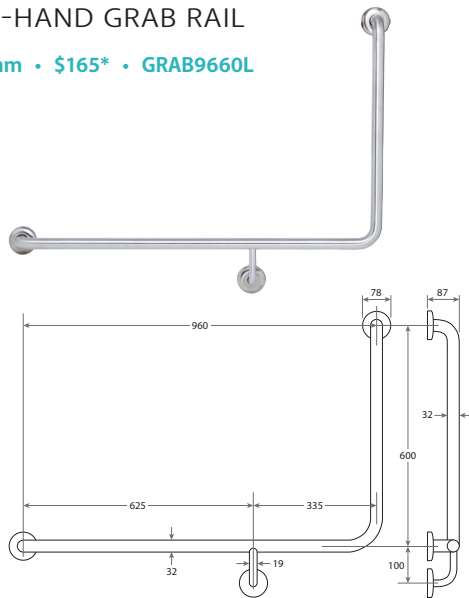
### 90° AMBULANT GRAB RAIL

450 x 450 mm • \$95\* • GRAB4545



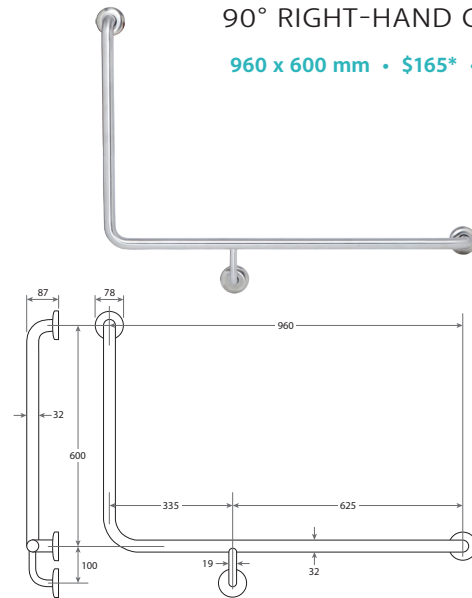
### 90° LEFT-HAND GRAB RAIL

960 x 600 mm • \$165\* • GRAB9660L



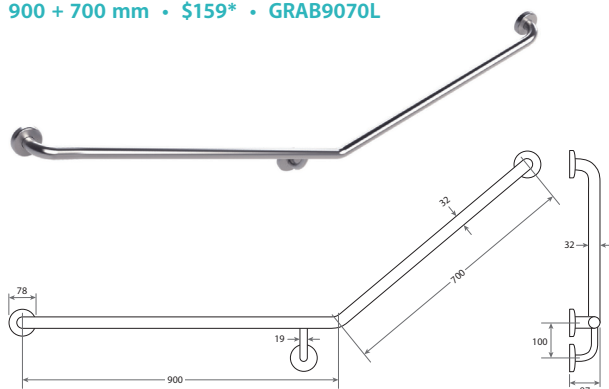
### 90° RIGHT-HAND GRAB RAIL

960 x 600 mm • \$165\* • GRAB9660R



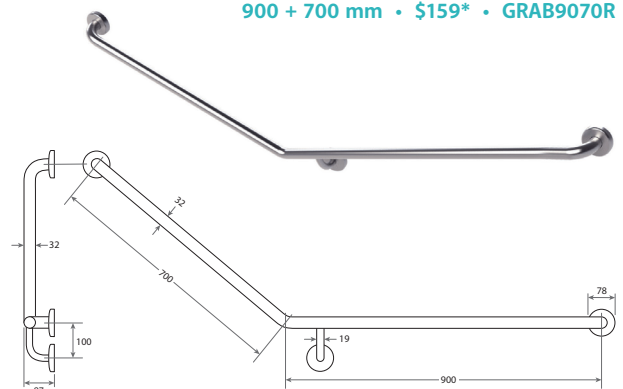
### 40° GRAB RAIL LEFT-HAND

900 + 700 mm • \$159\* • GRAB9070L



### 40° GRAB RAIL RIGHT-HAND

900 + 700 mm • \$159\* • GRAB9070R





# fienza® Care

## BASINS

Fienza's range of Care basins are suitable for independent living applications, including sole occupancy and commercial bathroom design requirements meeting AS1428.1-2009. Semi-recessed basins can also be installed to comply with AS1428.1 if accompanied with an appropriate counter design.

### COMMERCIAL WARRANTY

**5 YEAR WARRANTY**

CERAMICS:  
5 Years

**10 YEAR WARRANTY**

R.A.K. CERAMICS:  
10 Years

### DOMESTIC WARRANTY

**5 YEAR WARRANTY**

CERAMICS:  
5 Years

**10 YEAR WARRANTY**

R.A.K. CERAMICS:  
10 Years



PETRA

Left-Hand Wall-Hung Basin  
RB2223L

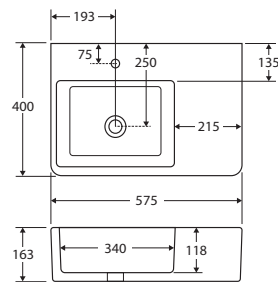
## DELTA CARE

### Wall-Hung Basins

- Can be installed to comply with AS1428.1
- Ideal for small bathrooms or powder rooms
- Integral shelf
- Gloss white ceramic
- One tap hole, with overflow
- Requires 32mm waste with overflow (not included)
- Wall bolts included
- Capacity: 5.3 litres, Weight: 22kg

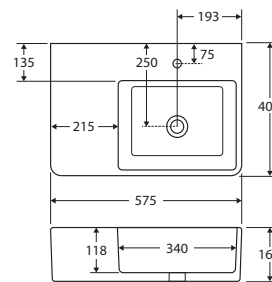
Left-Hand

**\$349 • RB2275L**



Right-Hand

**\$349 • RB2275R**



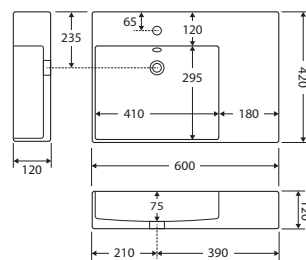
## PETRA

Wall-Hung Basins

- Can be installed to comply with AS1428.1 - Section 15.3.2 Accessible Sole Occupancy Units
- Gloss white ceramic
- One tap hole, with overflow
- Requires 32mm waste, with overflow (not included)
- Wall bolts included

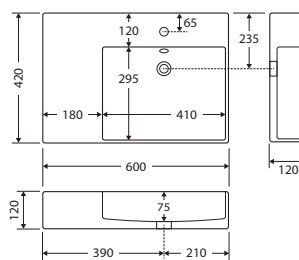
Left-Hand

**\$375 • RB2223L**



Right-Hand

**\$375 • RB2223R**

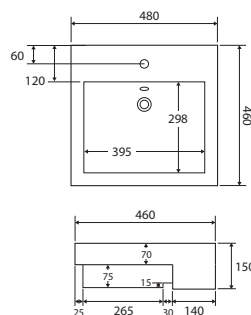


## JACINTA

Semi-Recessed Basin

- **1 tap hole • \$199 • RB8050J**
- **3 tap holes • \$249 • RB8050J-3**

- Can be installed to comply with AS1428.1
- Gloss white ceramic
- Glazed on the back side
- One OR three tap holes, with overflow
- Requires 32mm waste with overflow (not included)
- Capacity: 7 litres

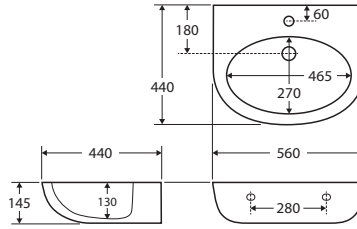


STELLA CARE

Wall-Hung Basin (No Shroud)

1 tap hole • \$169 • RB379  
3 tap holes • \$219 • RB379-3

- Can be installed to comply with AS1428.1
- Gloss white ceramic
- One or three tap holes, with overflow
- Includes wall mounting bolts
- Requires 32mm waste with overflow (not included)

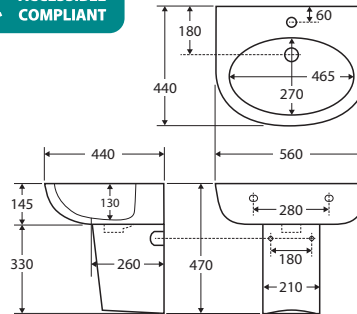


STELLA CARE

Wall-Hung Basin with Integral Shroud

1 tap hole • \$265 • RB379S  
3 tap holes • \$315 • RB379S-3

- Can be installed to comply with AS1428.1
- Gloss white ceramic
- One or three tap holes, with overflow
- Includes wall mounting bolts
- Requires 32mm waste with overflow (not included)

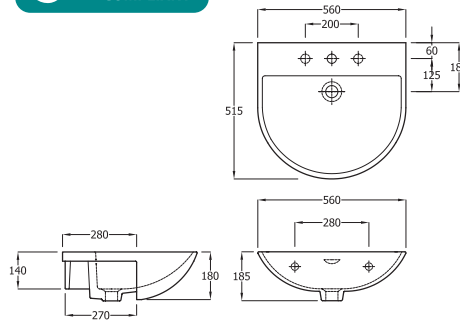


RAK RESERVA

Semi-Recessed Basin

1 tap hole • \$349 • 606601W  
3 tap holes • \$349 • 606603W

- Can be installed to comply with AS1428.1
- Gloss white ceramic
- One OR three tap holes, with overflow
- Requires 32mm waste with overflow (not included)
- Made in UAE
- Capacity: 7 litres

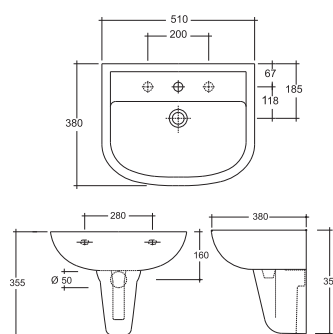


RAK X500

Wall-Hung Basin with Integral Shroud

1 tap hole • \$640 • 601801W  
3 tap holes • \$640 • 601803W

- Can be installed to comply with AS1428.1
- Gloss white ceramic
- One OR three tap holes, no overflow
- Requires 32mm waste without overflow (not included)
- Kee seal for installation included
- Includes wall mounting bolts
- Made in UAE
- Capacity: 7.2 litres



## ISABELLA CARE

- Can be installed to comply with AS1428.1
- Easy-to-operate, fingertip control handles
- Sleek, modern design
- Chrome finish
- Brass construction
- 35mm cartridge
- Suitable for mains pressure, max. 500kpa
- PEX Split-proof hoses

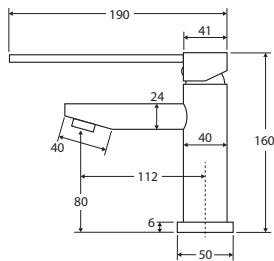


COMMERCIAL WARRANTIES		DOMESTIC WARRANTIES	
<b>15 YEAR</b>	15 YEARS: Ceramic Disc Cartridges	<b>15 YEAR</b>	15 YEARS: Ceramic Disc Cartridges
<b>7 YEAR</b>	7 YEARS: Replacement parts or Product	<b>15 YEAR</b>	15 YEARS: Replacement parts or Product
<b>1 YEAR</b>	1 YEAR: Replace & Labour on Coloured Finishes	<b>1 YEAR</b>	1 YEAR: Replace & Labour on Coloured Finishes

### ISABELLA CARE Basin Mixer

\$199 • 213109D

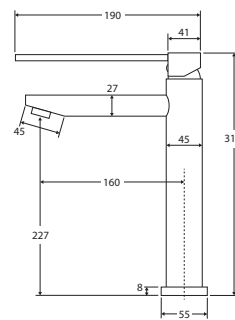
- Long handle for easy reach & operation
- Fixed position
- **WELS 5 Star rated, 5L/min**



### ISABELLA CARE Tall Basin Mixer

\$248 • 213107D

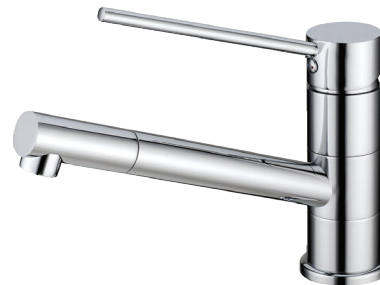
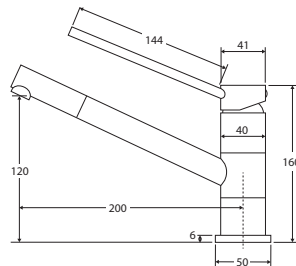
- Long handle for easy reach & operation
- Fixed position
- **WELS 5 Star rated, 5L/min**



### ISABELLA CARE Swivel Sink Mixer

\$259 • 213110D

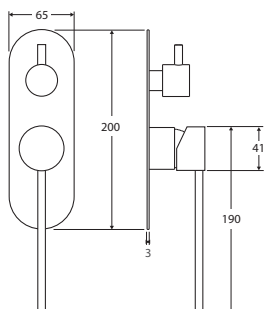
- Long handle for easy reach & operation
- Swivel function
- **WELS 4 Star rated, 6.5L/min**



### ISABELLA CARE Wall Mixer Diverter

\$209 • 213102D

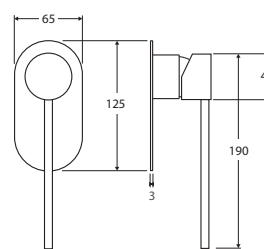
- Long handle for easy reach & operation
- Designed for shower & bath
- WELS rating not required



### ISABELLA CARE Wall Mixer

\$169 • 213101D

- Long handle for easy reach & operation
- Designed for shower & bath
- WELS rating not required



Optional 85mm round wall plate  
**ADD \$40 221200**



## HUSTLE CARE



- Can be installed to comply with AS1428.1
- Easy-to-operate, fingertip control handles
- Sleek, modern design
- Electroplated matte black finish
- Brass construction
- 35mm cartridge
- Suitable for mains pressure, max. 500kpa
- PEX Split-proof hoses



### COMMERCIAL WARRANTIES

- 15 YEAR** Ceramic Disc Cartridges
- 7 YEAR** Replacement parts or Product
- 1 YEAR** Replace & Labour on Coloured Finishes

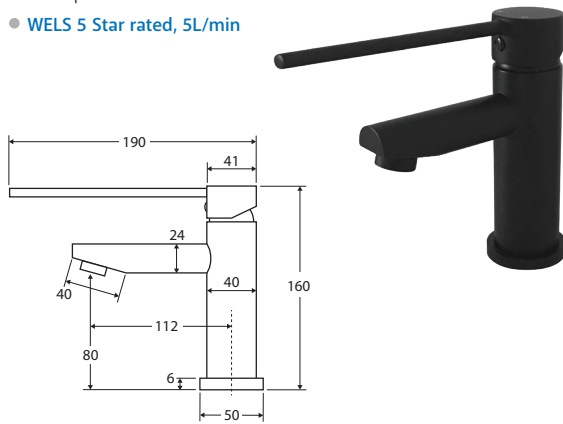
### DOMESTIC WARRANTIES

- 15 YEAR** Ceramic Disc Cartridges
- 15 YEAR** Replacement parts or Product
- 1 YEAR** Replace & Labour on Coloured Finishes

### HUSTLE CARE Basin Mixer

**\$248 • 225103D**

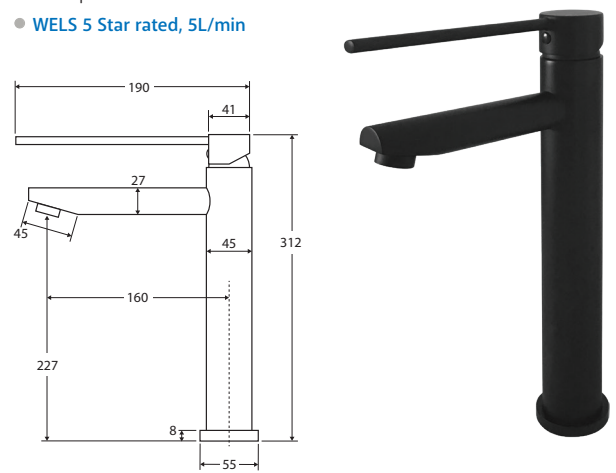
- Long handle for easy reach & operation
- Fixed position
- **WELS 5 Star rated, 5L/min**



### HUSTLE CARE Tall Basin Mixer

**\$348 • 225107D**

- Long handle for easy reach & operation
- Fixed position
- **WELS 5 Star rated, 5L/min**



### HUSTLE CARE Wall Mixer Diverter

**\$348 • 225102D**

- Long handle for easy reach & operation
- Designed for shower & bath
- WELS rating not required



### HUSTLE CARE Wall Mixer, Round Plate

**\$248 • 225101AD**

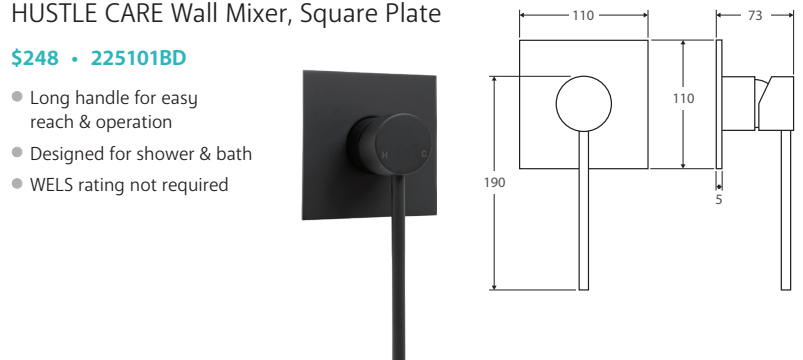
- Long handle for easy reach & operation
- Designed for shower & bath
- WELS rating not required



### HUSTLE CARE Wall Mixer, Square Plate

**\$248 • 225101BD**

- Long handle for easy reach & operation
- Designed for shower & bath
- WELS rating not required



## KOKO CARE



- Can be installed to comply with AS1428.1
- Easy-to-operate, fingertip control handles
- Sleek, soft-square design with chrome finish
- Brass construction
- Quality European cartridges (35mm)
- Suitable for mains pressure, max. 500kpa
- PEX Split-proof hoses

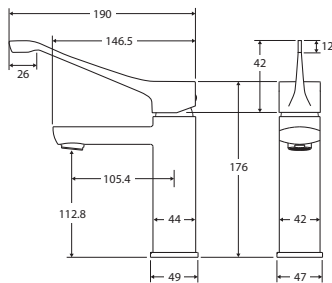


COMMERCIAL WARRANTIES		DOMESTIC WARRANTIES	
<b>15 YEAR</b>	15 YEARS: Ceramic Disc Cartridges	<b>15 YEAR</b>	15 YEARS: Ceramic Disc Cartridges
<b>7 YEAR</b>	7 YEARS: Replacement parts or Product	<b>15 YEAR</b>	15 YEARS: Replacement parts or Product
<b>1 YEAR</b>	1 YEAR: Replace & Labour on Coloured Finishes	<b>1 YEAR</b>	1 YEAR: Replace & Labour on Coloured Finishes

### KOKO CARE Basin Mixer

\$260 • 218103D

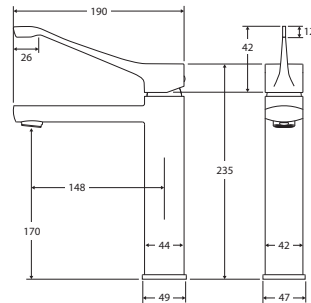
- Long handle for easy reach & operation
- Fixed position
- WELS 5 Star rated, 5L/min



### KOKO CARE Medium Basin Mixer

\$369 • 218109D

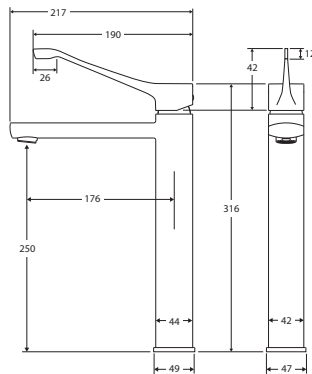
- Long handle for easy reach & operation
- Fixed position
- WELS 5 Star rated, 5L/min



### KOKO CARE Tall Basin Mixer

\$430 • 218107D

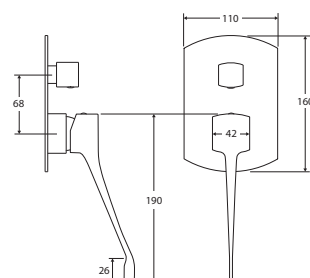
- Long handle for easy reach & operation
- Fixed position
- WELS 5 Star rated, 5L/min



### KOKO CARE Wall Mixer Diverter

\$269 • 218102D

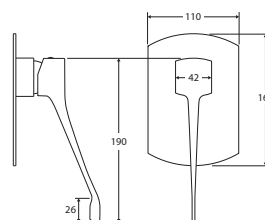
- Long handle for easy reach & operation
- Designed for shower & bath
- WELS rating not required



### KOKO CARE Wall Mixer

\$230 • 218101D

- Long handle for easy reach & operation
- Designed for shower & bath
- WELS rating not required



## KOKO CARE MATTE BLACK



- Can be installed to comply with AS1428.1
- Easy-to-operate, fingertip control handles
- Sleek, soft-square design with electroplated matte black finish
- Brass construction
- Quality European cartridges (35mm)
- Suitable for mains pressure, max. 500kpa
- PEX Split-proof hoses

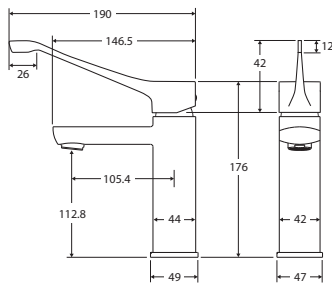


COMMERCIAL WARRANTIES		DOMESTIC WARRANTIES	
<b>15 YEAR</b>	15 YEARS: Ceramic Disc Cartridges	<b>15 YEAR</b>	15 YEARS: Ceramic Disc Cartridges
<b>7 YEAR</b>	7 YEARS: Replacement parts or Product	<b>15 YEAR</b>	15 YEARS: Replacement parts or Product
<b>1 YEAR</b>	1 YEAR: Replace & Labour on Coloured Finishes	<b>1 YEAR</b>	1 YEAR: Replace & Labour on Coloured Finishes

### KOKO CARE Basin Mixer

**\$350 • 218103BD**

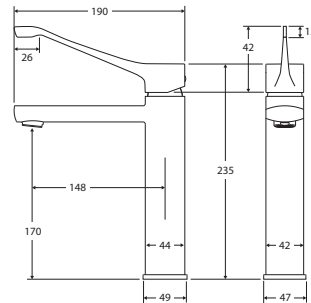
- Long handle for easy reach & operation
- Fixed position
- **WELS 5 Star rated, 5L/min**



### KOKO CARE Medium Basin Mixer

**\$470 • 218109BD**

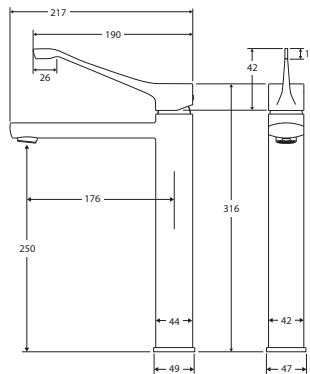
- Long handle for easy reach & operation
- Fixed position
- **WELS 5 Star rated, 5L/min**



### KOKO CARE Tall Basin Mixer

**\$510 • 218107BD**

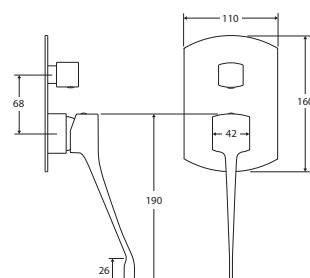
- Long handle for easy reach & operation
- Fixed position
- **WELS 5 Star rated, 5L/min**



### KOKO CARE Wall Mixer Diverter

**\$365 • 218102BD**

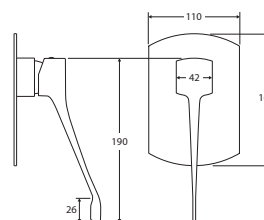
- Long handle for easy reach & operation
- Designed for shower & bath
- WELS rating not required



### KOKO CARE Wall Mixer

**\$289 • 218101BD**

- Long handle for easy reach & operation
- Designed for shower & bath
- WELS rating not required





## STELLA CARE

- Can be installed to comply with AS1428.1
- Easy-to-operate, fingertip control handles
- Brass construction
- 40mm cartridges
- Suitable for mains pressure, max. 500kpa
- PEX Split-proof hoses

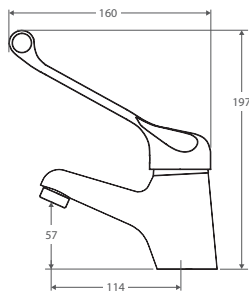


COMMERCIAL WARRANTIES		DOMESTIC WARRANTIES	
<b>15 YEAR</b>	15 YEARS: Ceramic Disc Cartridges	<b>15 YEAR</b>	15 YEARS: Ceramic Disc Cartridges
<b>7 YEAR</b>	7 YEARS: Replacement parts or Product	<b>15 YEAR</b>	15 YEARS: Replacement parts or Product
<b>1 YEAR</b>	1 YEAR: Replace & Labour on Coloured Finishes	<b>1 YEAR</b>	1 YEAR: Replace & Labour on Coloured Finishes

### STELLA CARE Basin Mixer

\$109 • 211103D

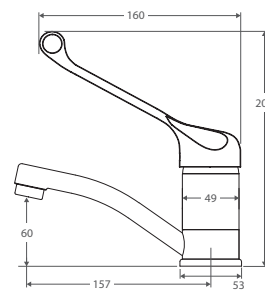
- Long handle for easy reach & operation
- Fixed position
- **WELS 5 Star rated, 5L/min**



### STELLA CARE Swivel Basin Mixer

\$109 • 211104D

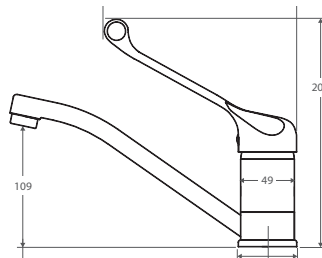
- Long handle for easy reach & operation
- Swivel function
- **WELS 5 Star rated, 5L/min**



### STELLA CARE Sink Mixer

\$109 • 211105D

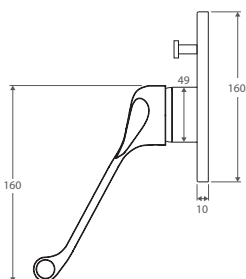
- Long handle for easy reach & operation
- Swivel function
- **WELS 3 Star rated, 8L/min**



### STELLA CARE Wall Mixer Diverter

\$140 • 211102D

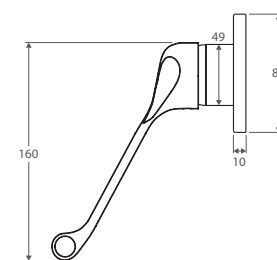
- Long handle for easy reach & operation
- Designed for shower & bath
- WELS rating not required



### STELLA CARE Wall Mixer

\$109 • 211101D

- Long handle for easy reach & operation
- Designed for shower & bath
- WELS rating not required





# fienza<sup>®</sup> Care

## SHOWERS

Fienza Care Showers are designed to assist with independent living, making showering easy and accessible for all. Offering a balance of practicality and style, our Care showers complement any bathroom design or layout. Each shower can be installed to comply with AS1428.1 and can be paired with any wall mixer from our Care Mixer range.

LUCIANA  
Inverted T Rail Shower  
444113RH









## LUCIANA CARE

Inverted T Rail Shower

Left hand • \$449 • 444113LH

Right hand • \$449 • 444113RH

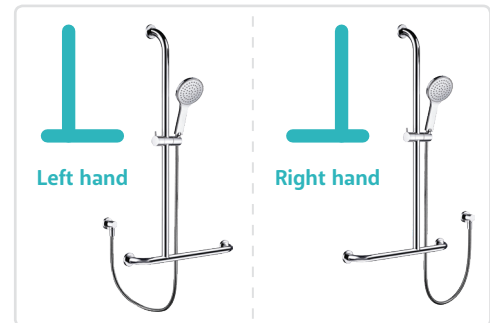
- Complies with AS1428.1 when installed at 1020mm from finished floor level to the bottom of the fixing
- Chrome finish
- **WELS 3 Star rated, 9L/min**

**Rail:**

- 304 Stainless steel construction
- Polished chrome finish
- Rail thickness: 32mm
- ABS slider & wall mounts
- Deluxe stainless steel elbow

**Shower head:**

- LUCIANA single function (MSH115)
- ABS construction
- Stainless steel flexi-hose



**COMMERCIAL WARRANTIES**

- 7 YEAR WARRANTY** HEADS / ARMS: 7 Years Replacement Parts or Product
- 5 YEAR WARRANTY** RAILS: 5 Years Replacement Parts or Product
- 1 YEAR WARRANTY** HOSES: 1 Year Replacement Parts or Product

**DOMESTIC WARRANTIES**

- 15 YEAR WARRANTY** HEADS / ARMS: 15 Years Replacement Parts or Product
- 15 YEAR WARRANTY** RAILS: 15 Years Replacement Parts or Product
- 1 YEAR WARRANTY** HOSES: 1 Year Replacement Parts or Product

## STELLA CARE

Rail Shower

\$290 • 444112

- Complies with AS1428.1 when installed at 1020mm from finished floor level to the bottom of the fixing
- Polished to chrome colour
- **WELS 3 Star rated, 9L/min**

**Rail:**

- 304 Stainless steel construction
- ABS slider & wall mounts
- Deluxe stainless steel elbow
- Rail thickness: 32mm

**Shower head included:**

- MICHELLE 5-function head (MSH017)
- ABS construction
- Stainless steel flexi-hose

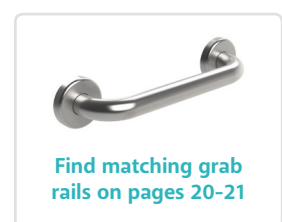


**COMMERCIAL WARRANTIES**

- 7 YEAR WARRANTY** HEADS / ARMS: 7 Years Replacement Parts or Product
- 5 YEAR WARRANTY** RAILS: 5 Years Replacement Parts or Product
- 1 YEAR WARRANTY** HOSES: 1 Year Replacement Parts or Product

**DOMESTIC WARRANTIES**

- 15 YEAR WARRANTY** HEADS / ARMS: 15 Years Replacement Parts or Product
- 15 YEAR WARRANTY** RAILS: 15 Years Replacement Parts or Product
- 1 YEAR WARRANTY** HOSES: 1 Year Replacement Parts or Product





*Beautiful,  
Quality Bathware*

At Fienza our core passion is to excite customers with new, innovative and cutting-edge designer bathroom products.

Our commitment to international quality standards has ensured that Fienza continues to be the preferred choice for beautiful bathrooms all over Australia.

Fienza® products are available through all leading bathroom and plumbing retailers.

For more information, contact us or visit our website:

P: (07) 3490 6700

E: [contactus@fienza.com.au](mailto:contactus@fienza.com.au)

W: [fienza.com.au](http://fienza.com.au)