



# Telecommunication Products

Viscount Rotational Moulding's Pty Ltd range of extension collars provide for installations that require an increase in the depth of the pit connections. These collars are quick and easy to install by attaching the collar to the appropriate pit by means of stainless steel screws. A maximum of two collars per pit can be used. Viscount has a range of moulded lockable lids. These have an anti slip surface and have been independently tested by Nata Approved Laboratories to AS/NZS 3661.1. Our locking mechanism (as shown below) offers cost effective security. All locking lids are supplied with plastic keys and protection plugs. The rotomoulded lockable lids are certified to Class A; footways and areas accessible only to pedestrians and pedal cyclists. Viscount's collars and lids are moulded in black, UV stabilized, high density polyethylene to handle the toughest Australian conditions.



UG2016 - P4 Collar

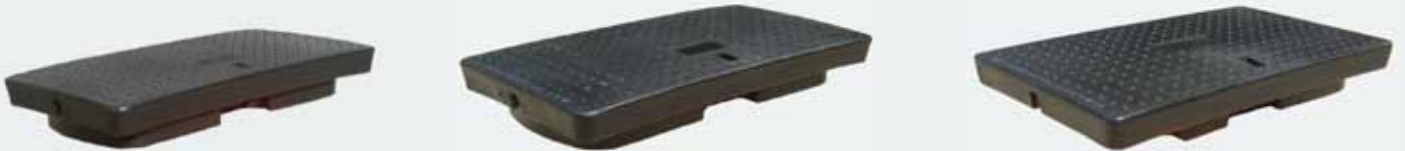
UG2010 - P5 Collar

UG2011 - P6 & P8 Collar

UG2017 - P7 Collar

Code	Product	A	A1	B	B1	B2	C	C1
UG2016	P4 Collar	710	650	410	350	285	234	150
UG2010	P5 Collar	715	650	455	400	330	230	150
UG2011	P6 Collar	1380	1314	545	502	435	280	210
UG2017	LP7 Collar	1015	960	560	500	418	280	200

All measurements in millimetres



UG2200 - P4 Lockable Lid

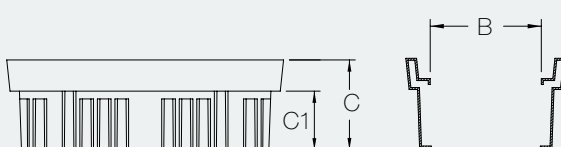
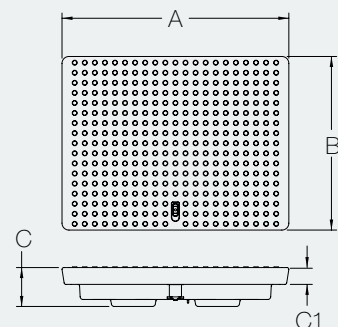
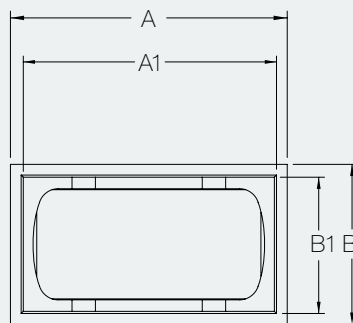
UG2300 - P5 Lockable Lid

UG2350 P6 Lockable Lid to suit P6, P8 & P9 Pit

Code	Product	A	B	C	C1
UG2200	P4 Lockable Lid	655	355	90	50
UG2300	P5 Lockable Lid	650	397	90	50
UG2350	P6 Lockable Lid	650	495	115	50

All measurements in millimetres

Have your lids branded to display your company logo or end application. Please contact our sales office for more information.

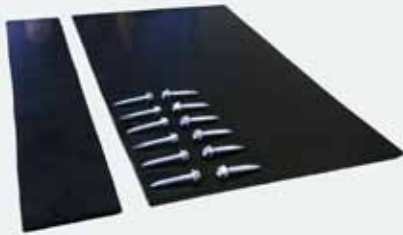


# Telecommunication Products

To further enhance Viscount's range of Infrastructure Products we now have included gaskets and cross bars. The new range of Viscount gaskets ensures security of the pit from foreign objects entering the pit cavity. The gaskets fit neatly below the lid and are available in 5 common sizes. The Viscount gaskets are made from black fluted polypropylene sheet. The VRM cross bars are designed to fit the larger pits that require more than one lid. The crossbars come in two types of cast iron for the P6, P8 and P9 pit and the fabricated steel bar for the smaller P7 pit.



*Viscount - the one stop shop for all your Infrastructure needs!*



UG2014 - Reinstatement kit



Locking mechanism for P4-P6 Lid range



21BU0012 Plug  
20FA0013 - Key  
to suit: P4 to P6 Lids



Gasket:  
UG3002 to suit P2 Pit  
UG3003 to suit P3 Pit  
UG3004 to suit P4 Pit  
UG3005 to suit P5 Pit  
UG3006 to suit P6, P8 & P9 Pit



21MC25CI - Crossarm Bar  
For P6, P8 & P9 Pits



21MC26CI P7 Pit Crossarm Bar

Please Note:  
Two gaskets are required for P6 and P8 Pits.  
Three gaskets are required for P9 Pits.



Crossarm Bar and Gaskets

